

MANUAL

TITANIUM *Plus+*

 **CONLUX**
AR CONDICIONADO SPLIT


Wi-Fi



ENG / PORT / ESP

CONTENTS

1. Safety Precautions	1
2. Safety Instructions	2
3. Description of Components	4
4. Service and Maintenance	8
5. Trouble Shooting	10
6. Installation Manual	11

Safety Precautions

WARNING: Following these basic precautions will reduce the risk of fire, electrical shock, injury or death when using your air conditioner.

1. Air conditioner must be connected to proper electrical outlet or breaker with the correct electrical supply. And only the specified power can be used.

2. Proper grounding must be ensured to reduce the risk of shock and fire.

3. Do not cut or remove the grounding prong. If you do not have a three-prong electric receptacle outlet or breaker in the wall, have a certified electrician install the proper receptacle or breaker. The wall receptacle or breaker MUST be properly grounded.

4. Do not use if power cord is frayed or otherwise damaged. Also avoid using it if there are cracks or abrasion damage along the length, plug or connector.

5. Do not use an adapter or an extension cord.

6. Do not block airflow inside or outside the air conditioner with blinds, drapes, protective covers, shrubs or blusher.

7. Be careful of sharp edges on the front and rear fins of the unit that could cut and cause serious injury.

8. Be careful when lifting the air conditioner to install or remove the unit. Always use two or more people for this.

9. Always cut off the power of air conditioner before servicing it or moving it.

10. In some type of units, there is no appropriate plug corresponding to its power cord because of power, Under this condition, an appropriate power breaker should be linked to its power cord, therefore, the instruction part associated with plug using is not available for these types.

11. An all-pole disconnection switch having a contact separation of at least 3mm in all poles should be connected in fixed wiring.



12. The appliance shall be installed in accordance with national wiring regulations.


13. This appliance is not intended for use by persons (including children) with reduced physical, sensory or mental capabilities, or lack of experience and knowledge, unless they have been given supervision or instruction concerning use of the appliance by a person responsible for their safety. Children should be supervised to ensure that they do not play with the appliance.


Safety Instructions

Symbol Description

To prevent hazards to users, others, and damage to property, be sure to follow the instructions below.

Disregarding safety precautions, the degree of harm or damage caused by wrong operation is classified as follows:	
 Warning	What this sign means: Possibility of death or serious injury.
 Caution	What this symbol means: Possibility of injury or material damage.

 Warning:Never install by yourself
Split type air conditioner will work for you for a long period of time if it is correctly installed.Improper installation could cause problems such as leakage of water or refrigerant, electric shock or fire.
If the power cable to the unit is disconnected, burnt, chipped, or detached from the terminal , to make reparations, please contact the nearest service center, or repaired by people who have the same qualifications or experience to avoid electrical hazards.

 Caution:Please confirm the following before installation
Power specifications: Make sure that the capacity of socket or breaker and power cable is sufficient,the voltage is correct and the socket or breaker is grounded.There may be hazard of fire or electric shock otherwise.
Proper connection of wires and piping: Improper connection may decrease the efficiency or cause air conditioner stop running.Water or refrigerant leakage may be resulted as well.
Installation environments: Do not install air conditioner at the place where there is flammable or corrosive air.
Operating instruction: Please operate air conditioner in accordance to this manual.

Operating conditions

1. Temperature: T1 instance: -7°C 43°C (16°C 43°C for cooling only type)

T3 instance: $-7^{\circ}\text{C}\sim 52^{\circ}\text{C}$ ($16^{\circ}\text{C}\sim 52^{\circ}\text{C}$ for cooling-only type)

If the unit runs beyond the temperature for a long time, it may cause cooling capacity to decrease or protector to work.

2. Relative humidity: $<80\%$;

If the unit runs beyond the humidity range, condensate may be formed near blade and outlet of air conditioner. It's normal.

3. In heating operation, strange smell may come from the unit. It is normal phenomenon.

4. The performance parameters refer to name plate.

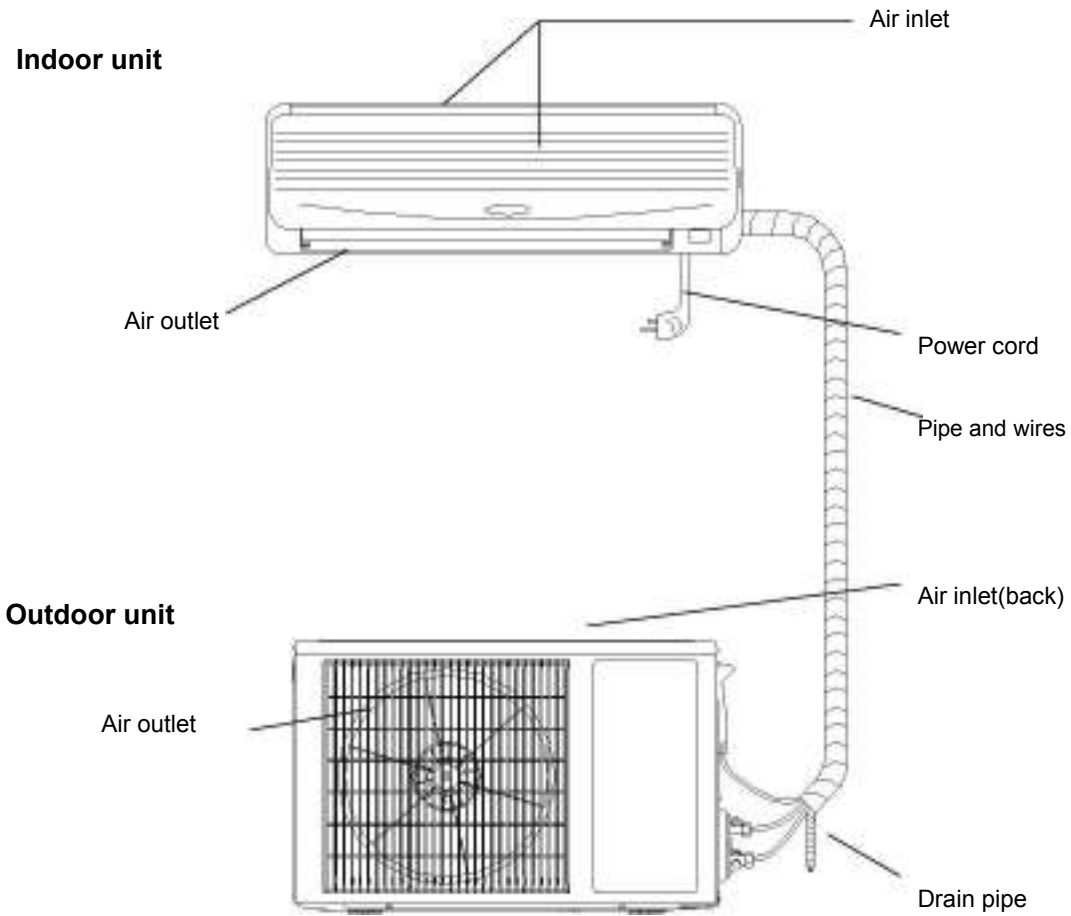
5. The waterproof level of indoor unit is IPX0. Do not use it in the laundry or bathroom.

6. The outdoor unit can't be installed in a closed area.

7. Indoor Fuse on the main board: 3.15A/250V(220V model) , 5A/250V(115V model).

Description of Components

View of Unit



Remarks:















The air conditioner is consisting of indoor unit, outdoor unit and remote controller. The design and shape are different for different models. The above figures are only schematic, and they may be slightly different from the actual appliances you selected.

Display screen

	<p>The display can show the set temperature,error codes or timing time.</p>
	<p>This signal light is on when the unit is in "RUNNING" status.The signal light will flash when is in Defrosting or Cooling airflow proof.</p>
	<p>This signal light is on when the unit is in Timer.</p>
	<p>This signal light is on when the compressor is running.</p>
	<p>Flashing on behalf of searching,lighting on behalf of WIFI completed connection,which means WIFI function can be operation and application.(For more details,please refer to the WIFI instruction manual)</p>
	<p>This signal light is on when the unit is in health function.</p>
	<p>This signal light is on when the electric heater is running.</p>
	<p>This signal light is on when the unit is in "GEN LINK MODE" status.</p>

Note:The above LED display is for reference only, subject to the actual product.

Remote Controller

Button	Introduce	Button	Introduce
ON/OFF 	Press this button to start / stop air conditioner.	UVC 	To start or stop UVC sterilize function. (optional)
MODE 	For selecting Cool / Dry / Fan / Heat / Auto mode.	HEALTH 	Press this button to turn on fresh air function.
SLEEP 	For setting sleep function.	QUIET 	Set the air conditioner operating in low noise.
▼/—/←	Press “▼/—/←” to decrease temp.	 AUH	Press this button to turn on AUH function in heating mode
▲/+/→	Press “▲/+/→” to increase temp	GEN LINK	press this button to set or cancel GEN LINK MODE
SPEED	For selecting indoor fan speed . Auto/ High/ Medium/ Low		
DISPLAY 	To start or stop display when air conditioner is in running		
 I FEEL	Press this button to turn on I FEEL function.		
 SWING V-SWEEP	For changing vertical blades position and swing or not.		
 H-SWEEP	For changing horizontal blades position and swing or not.		
 TIMER	Press this button to set the timer.		
TURBO	To start or stop turbo function when air conditioner is in heating or cooling mode.		
ECO 	To start or stop ECO function.		
 CLEAN	Press this button to turn on self-cleaning technology.		
FUNCTION	Through the function button menu, you can set sleep, self-cleaning, healthy, quiet, I Feel, H-sweep, AUH.		
CARE	The most suitable mode setting for children's health.		

Remarks:

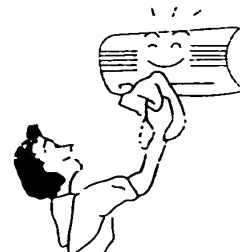
1. HEAT、AUTO mode and display are not available for cooling-only type air conditioner.
2. If user want to make the room air cool or warm quickly ,user can press “turbo” button in cooling or heating mode,air conditioner will run in power function.If press “turbo” button again, air conditioner will exit power function.
- 3.This page is the general function button page of the remote control, please refer to this page in combination with the actual remote control.
- 4.Press and hold the " ▼/ ←/ — " and " ▲/ →/ + " keys for 5S after turning on the machine, and the display can be switched to Fahrenheit. Press and hold the " ◀/ ▼/ — " and " ▶/ ▲/ + " keys for 5S again to switch back to Celsius.(optional)

Service and Maintenance

Careful maintenance and overhaul in advance can prolong the air conditioner's service life and save electricity charges.

Caution:

- Stop air conditioner by remote controller and pull off the plug before service and maintenance.
- Do not stand on unstable objects when you clean or service air conditioner, or it may cause personnel injury.
- Do not touch the metal part of the body when you remove the front panel, or it may cause personnel injury.

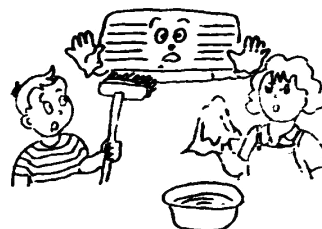


Clean the Front Panel and Remote Controller

If the dirt can't be removed, please clean it with warm damp cloth (soaked with warm water below 40°C)

Caution:

- Do not clean the unit with water, or it may cause electric shock.
- Do not clean the remote controller with water.
- Do not clean with alcohol, gasoline, banana oil, or polishing.
- Do not clean the unit violently, or it may cause the front panel falling down.
- Do not clean the front panel or remote controller with metal brush; it may damage the surface.



Clean Air Filter

- Open the front panel.
- Lift the protruding part, then pull it downward, remove the air filter.
- Clean it with vacuum cleaner or water. If air filter is very dirty, please clean it with warm soapy water or mild detergent. Then dry it in the shadow.
- Insert air filter into the previous position, and close the front panel.



Note:

1. Air filter should be cleaned at least once every two weeks, or heating or cooling capacity will be reduced.
2. Do not clean the air filter with metal brush, it may be damaged.



No Use for Long Time

- Swing 3-4 hours to dry the internal air conditioner.
- Stop operation by remote controller, then cut off the power source of air conditioner.
- Maintain air filter net.
- Take out batteries from remote controller.

Recommendations for Energy Saving

- **Appropriate Temp Setting:** It is harmful to health if the room is too cold.
- **Avoid Direct Sunlight:** When it is cooling, please use curtain or blind to obstruct direct sunlight.
- **Avoid Heat Sources:** When it is cooling, using other heat sources may affect cooling effect.
- **Close Doors and Window:** Incoming outdoor air will affect the cooling or heating efficiency.
- **Keep Air Filter Clean:** Keeping air filter clean ensures high efficiency operation.
- **Good Ventilation:** Do not put objects in front of the inlet and outlet of outdoor unit.

Normal Phenomenons

- When it is heating or cooling, plastic substance may give out a sound because of the temperature change.
- If the indoor humidity is too high, water drops may form on the front grill of indoor unit. This is a normal phenomenon.
- There may be gentle “rustle” sound when the unit starts or stops. It is the normal sound of flowing refrigerant.
- Walls, carpet, furniture or clothes indoors may disseminate peculiar smell.
- In order to protect the unit, when the compressor stops, there will be a 3-minute delay before restarting
- In the first several minutes of heating operation, wind may not come out from the indoor unit.
- Water may flow out from the outdoor unit during heating operation.
- In heating operation, steam may come out when it is defrosting.

Trouble Shooting

Air Conditioner is in Error

Checking before service.

Phenomenon	Checking Items
Air conditioner do not operate at all	1. Check whether the power is disconnected.
	2. Check whether the breaker is switched on or the fuse is burnt.
	3. Check the remote controller batteries.
	4. Check whether radio equipment is used within 1m around the unit.
Poor cooling or heating performance	1. Check whether the air inlet or outlet is blocked.
	2. Check whether dust is blocking the filter.
	3. There may be too many people indoors.
	4. Check whether doors or windows are closed.
	5. Check whether fan speed or set temperature is improper.

Remote Controller is in Error

The following trouble shooting is normal phenomenon

Phenomenon	Checking Items
Fan stops or fan speed can not be controlled	1. When air conditioner is in dehumidification mode or sleep mode, fan speed can't be controlled sometimes.
	2. When air conditioner is in cool airflow proof or defrosting operation (heat mode), fan motor will stop.
	3. When air conditioner is in cool or dehumidification mode, if air conditioner enters freeze-prevention operation, then fan speed can not be controlled.
	4. When air conditioner is in heat mode, if air conditioner enters heating overload prevention operation, then fan speed can not be controlled.

Installation Manual

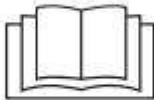
Foreword

Warning: Some models are R32 or other flammable refrigerants, which need to be operated and used in accordance with the instructions for use.

1. Air conditioners should be stored in areas with no persistent sources of ignition, such as open flames, lighted gas appliances, electric heaters that are turned on, etc.
2. Do not puncture or ignite the air conditioner.
3. Before servicing or repairing an air conditioner with R32 refrigerant, a safety inspection must be carried out to ensure that the risk of danger is minimized.
4. If the air conditioner leaks refrigerant, please open all doors and windows immediately, keep the room ventilated, turn off the power, and leave the room and call for repair.
5. When installing or relocating the air conditioner, be sure to bleed the refrigerant circuit to ensure it is free of air, and use only the specified refrigerant (R32). The presence of air or other foreign matter in the refrigerant circuit causes abnormal pressure rise, which may result in equipment damage and even injury.
6. The vacuum pump must be used for evacuation, and it is strictly prohibited to use the refrigerant in the fuselage to evacuate.
7. After completing installation, check for refrigerant gas leakage.
8. Please check the following safety signs carefully before installing and using the air conditioner.



Please read the maintenance manual carefully!



Please read the instruction manual carefully!



Please read the installation instructions carefully!

Installation Guide

- This air conditioner meets the safety and operation standards promulgated by the Nation.
- You need to invite professional air conditioner service and maintenance personnel to install or remove the air conditioner. Problems may occur and you may suffer losses if non- professionals install the air conditioner.
- User shall provide the power that meets installation and operation requirements. please refer to nameplate for details about the voltage for this product. Voltage beyond this scope will affect the normal operation of the air conditioner.
- Separate power point with delay fuse protector or automatic breaker should be used for the air conditioner.
- The air conditioner must be correctly and reliably grounded, or it may cause electric shock or fire.
- Do not switch on the power of the air conditioner before well connecting and carefully checking the tubing and wires.
- The appliance shall not be installed in laundry or bathroom.
- In case necessary, please consult your supply authority for system information.
- The plug shall be accessible after installed the appliance.

This instruction is subject to change without notice.

Installation of Accessories

- Examine carefully the attached packing list and check whether the accessories are complete.
- Users may need to buy at their own expenses the articles not included in the packing list and may be needed in installing.

Position for Indoor Unit

- Away from the place where there is heat source, steam source, leakage of flammable gas and smoke.
- No obstacles near the inlet and outlet, and keep good ventilation.
- Good discharge for water.
- At least 1m away from wireless equipment (such as TV, radio etc.).
- Mounted on the wall that can bear the weight of the air conditioner and won't produce noise while unit working.
- The distance between the indoor unit and the floor should be greater than 2.3m.
- The plug shall be accessible after installing the appliance.
- Ensure the distance as required in Fig.1.
- The back of the indoor unit should be close to the wall(Fig.1)
- The all figures are only schematic, and they may be slightly different from the actual appliances you selected.

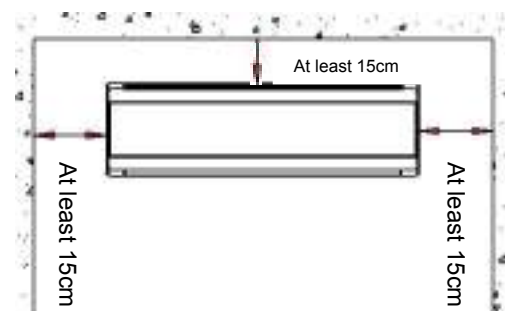


Fig 1

Position for Outdoor Unit

- Avoid direct sunlight.
- Away from heat source, steam source, leakage of flammable gas, smoke and dust.
- Select a place that is away from rain (snow) and has good ventilation.
- Neighbors will not be affected by the blown wind and noise, or discharged water.
- The place that is easy to install and service.
- Mounted on the solid and reliable foundation will not increase noise or shock.
- To get high cooling performance, make sure the unit's front, rear, left and right sides must be located in an open area.
- The outlet is proposed to be in open air, any obstacle will affect the performances.
- The installing distance must be required as Fig. 2 shows.

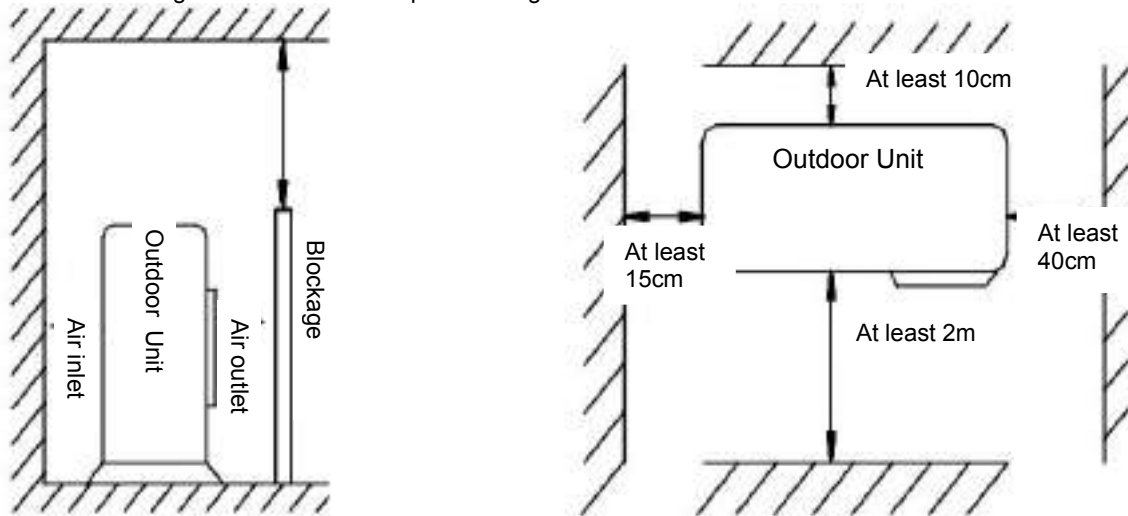


Fig 2

Tubing Selection

- Ensure that the level (height) difference of indoor and outdoor units and the length of tubing meet the requirement in the Table 1.
- If the tubing is longer than 7m, but shorter than 15m, refrigerant should be supplemented according to Table 1.
- If the installation position of the outdoor unit is higher than indoor unit and the tubing is longer than 10m, added a oil trap on the gas tubing for every 8m.(Fig 3)

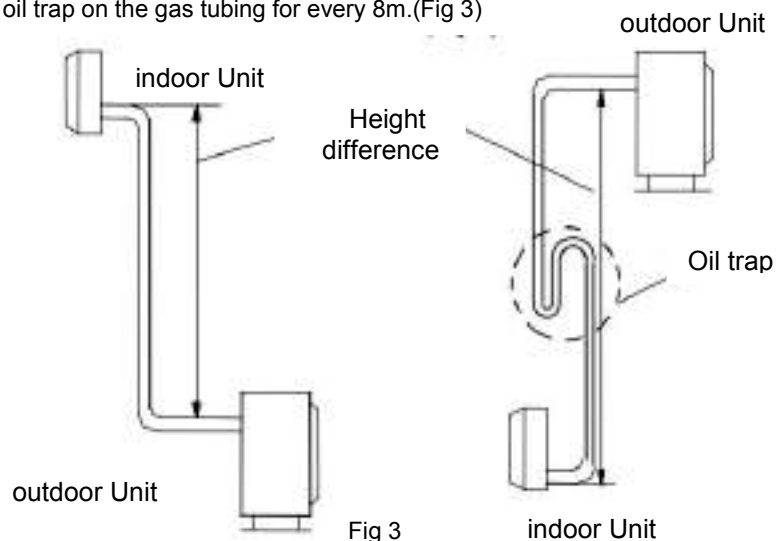


Fig 3

Table 1

Tubing size(mm/inch)		Standard tubing Length (m)	Max tubing Length (m)	Height Difference (m)	Additional refrigerants(g/.m)
Liquid tube	Gas tube				
φ 6(1/4")	φ 9(3/8")	5.0	9	5	12
φ 6(1/4")	φ 12(1/2")	5.0	12	7	12
φ 6(1/4")	φ 15.88(5/8")	5.0	15	8	12
φ 9(3/8")	φ 15.88(5/8")	5.0	15	8	15
φ 9(3/8")	φ 19.05(3/4")	5.0	20	10	15

The above dimensions are for reference only,the actual product shall prevail.

Fixing Installation Panel

- Dismantle the metal installation board of the indoor unit. Adjust the installation board to horizontal position.The height difference between the left and right sides of the installation board should less than 5mm.(Fig 4)
- Drill holes and insert plastic expansion tubes at the appropriate locations on the wall and fix the installation board on the wall with M5x30 screws. Ensure that there must be at least 4 fixed points in the wall. Ensure installation board to horizontal position.
- Drill holes as Fig. 5 shows. The hole, 80mm in diameter, should slightly slide down outwards..
- Cut PVC tubes at a slight angle in the length shorter than wall thickness and inset it into the hole.(Fig.5)
- Mount the wall cap.



Fig 4

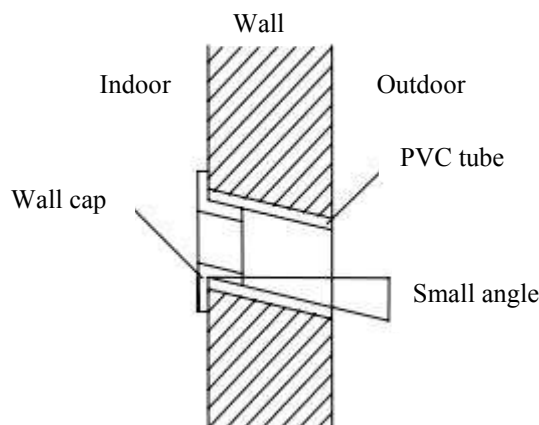
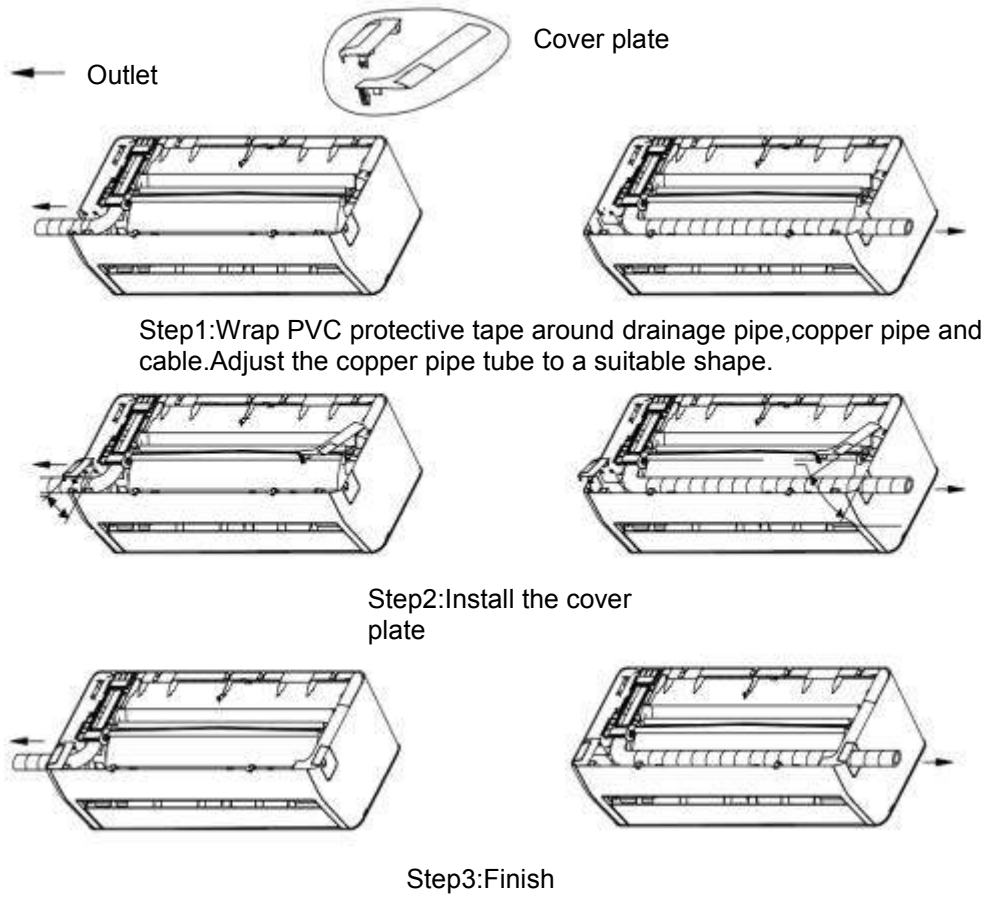


Fig 5

Attachment:installation instructions for decorative cover plate



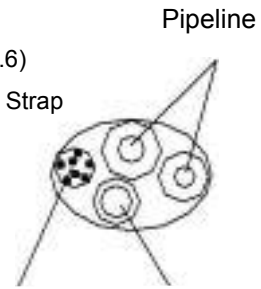
Note:The above diagram may be difference from the actual product,please refer to the actual product.

Indoor Unit Installation

The tube may be connected in several directions as below shown Figures.

1. Connecting right back tube (similar to right lower tube) (optional, Refer to Fig.6)

- Pull out the tubing from bottom of the chassis; and connect the drainpipe. Strap the joint of tubing reliably.
Lead the connecting wire to the indoor unit (Do not connect to the power).



Connecting wires Drain pipe
Fig 6

- Strap together the tubes, discharge pipe and connecting wire with adhesive tape. The discharge pipe is put at the below.
Remove the board which is on the chassis.

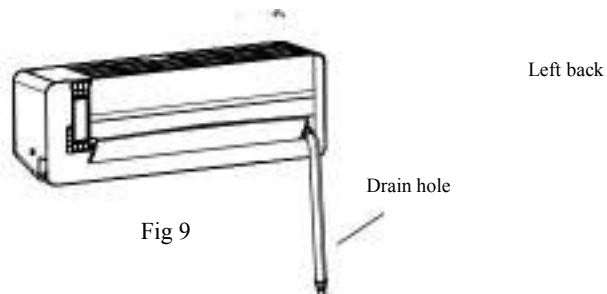
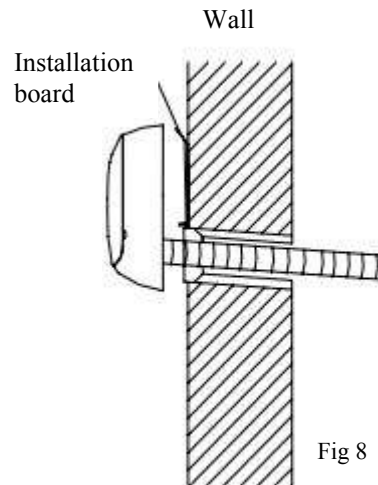
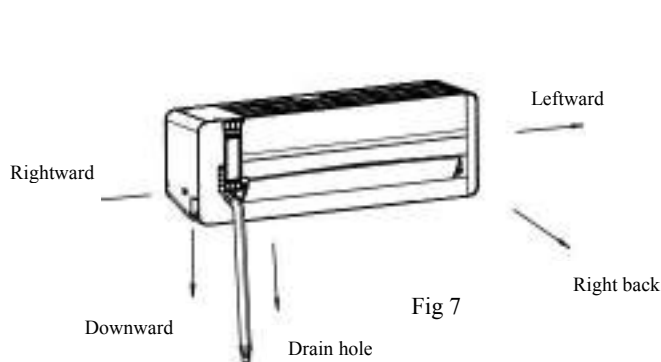
- Check if the connections are reliable.
- Mount the indoor unit on the two hooks at the upper part of installation board.(Refer to Fig.8)

2. Connecting left back tube (similar to left lower tube). (optional, Refer to Fig9)

- Move the discharge tube to the left side, and discharge cap to the right side.
- Fix the tubes in the slot of the indoor unit with the fix clamp.
- The following mounting steps are the same as those in “1. Connecting right back tube.”

Notes:Left chart is available for the position of drain hose, refer to Fig 7.

Right chart is available for the position of drain hose, refer to Fig 9.



Outdoor Unit Installation

- If installation brackets for installing outdoor unit are needed, user could buy the brackets from our company or agents (Fig.10) .
- Assemble the mounting frame and supports with the attached 6 screws (M12x25), plain washers, spring washers, and nuts.
- Drill 4 or more holes on the wall according to the feet size of the air conditioner. Determine the locations for mounting left and right supports. Ensure that the left and right supports are on the same level.
- Fix installation frame on the wall with expansive bolts.
- Fix outdoor unit with 4 bolts (M10x25) on the installation brackets.
- Fittings must be tightly screwed; Connection must be tight and reliable.
- In installing outdoor unit, the body should be hung with ropes to prevent from falling.
- In installing or repair, tools and components should be prevented from falling.
- Regularly check the reliability of the installation frame.

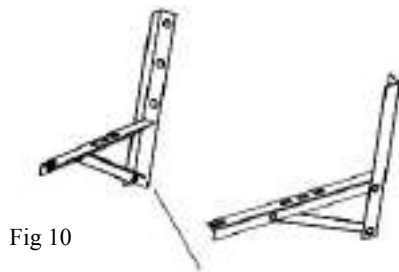


Fig 10

Installation support

Tubing Connection

- Detach the valve cover of outdoor unit.
- Align flaring nut to the thread center, and screw the nut tightly by hand.
- Screw tightly the flaring nut with torque spanner until the torque spanner produces "click" sound.
- It is recommended to use torque spanner to connect the tubing. If other flexible or fixed spanner is used, it may damage the horn mouth due to improper force.
- The bending angle of the tube should not be too small or the tube may break up, so the service personnel should use tube bender to bend the tube.
- Never let water, dust or sand gets into the pipe.

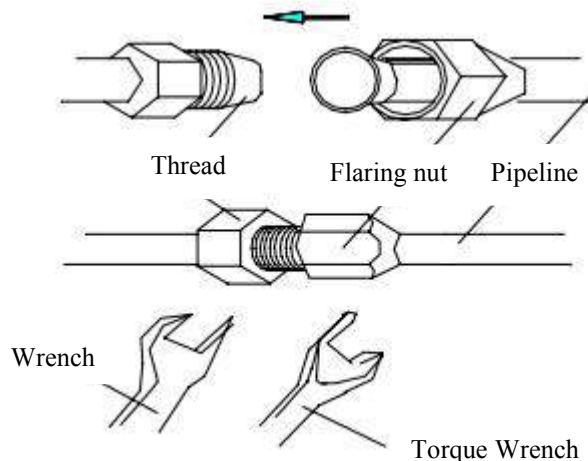


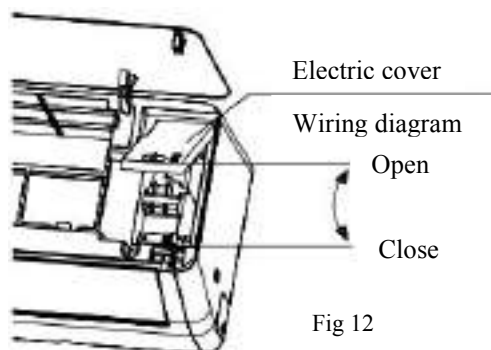
Fig 11

Tubing size(mm/inch)	Torque(N.m)
Φ6(1/4")	15~20
Φ9(3/8")	35~40
Φ12(1/2")	50~55
Φ15.88(5/8")	60~75
Φ19.05(3/4")	80~95

Connection of wire

1. Indoor unit(fig.12)

- Open the panel upwards and open directly to the maximum.
- Open the electrical cover.
- Secure the connection wires to the terminal block according to the wiring diagram on the electrical cover.
- Press the connecting wire tightly with the pressure plate.
- Close the electrical cover, secure the electrical cover with screws, and close the panel.



1.outdoor unit(fig.13)

- Unscrew the handle cover fixing screw and open the handle cover.
- Secure the connection wires to the terminal block according to the wiring diagram on the handle cover.
- Press the connecting wire tightly with the pressure plate.
- Put the handle cover back and fasten with the screws.

If customers need to extend or replace the power cord, please refer to Table 3 for specifications.

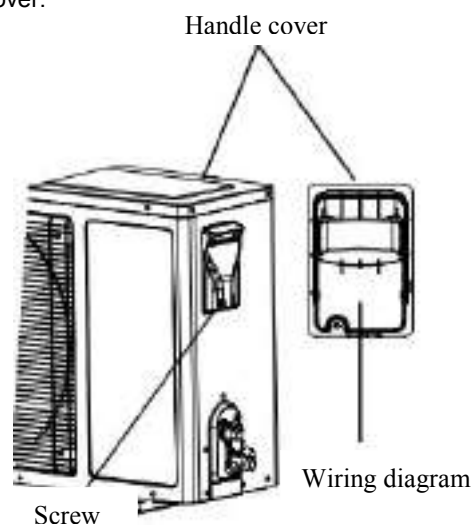


Table 3

		Power connecting wires	Signal control wire	Power cord
	Max. Length	10m	10m	5m
5K/7K/9K/12K	Cross sectional area	$\geq 1.0 \text{ mm}^2$	$\geq 1.0 \text{ mm}^2$	$\geq 1.0 \text{ mm}^2$
9K/12K(115V) 16K/18K/24K(220V)		$\geq 1.5 \text{ mm}^2$	$\geq 1.5 \text{ mm}^2$	$\geq 1.5 \text{ mm}^2$
18K/21K/24K/28K 30K/36K		$\geq 2.5 \text{ mm}^2$	$\geq 0.75 \text{ mm}^2$	$\geq 2.5 \text{ mm}^2$

Notes:

- Earthing screw must use special screw(stainless machining screws or copper screws M4)
- Ensure that all wires are securely connected, will not loose or separate.
- Ensure that wire connections are carried out according to the wiring diagram of the air conditioner.
- The above figures are only schematic, and they may be slightly different from the actual appliances you select

Tube Strapping

- Strapping with PVC Protective tape must be careful, do not damage the pipeline and drain pipe.
- Strapping should start from the lower part of the outdoor unit to the indoor unit.
- Fix the PVC tape with adhesive tape to prevent loosing.
- Drainpipe should slightly slide down outwards to ensure drainage well.
- When the indoor unit is lower than the outdoor unit, bend the tube to proper extent to prevent water draining into house.
- Fix the tube bundle with tube clamps on the wall.
- Allow enough space between discharge pipe and the ground. Do not put the discharge pipe in water or ditch.
- Seal the external wall holes with sealing gum or putty.

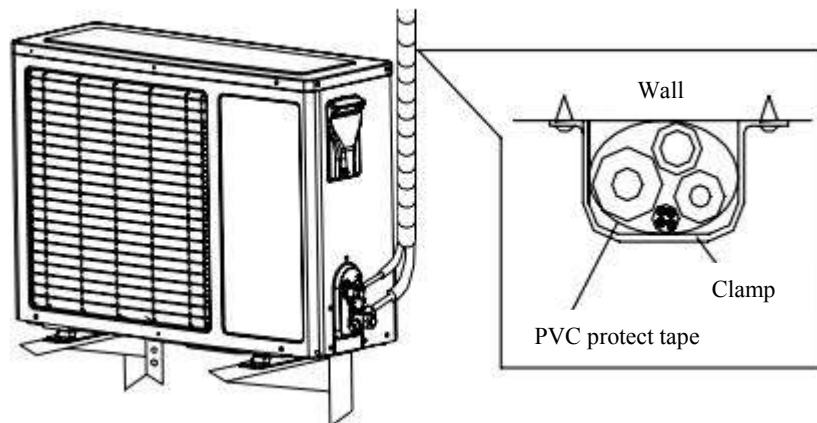


Fig 14

Exhaust

- Make sure that all the tubes of indoor and outdoor unit are connecting well.
 - Take off valve bonnet from two-way and three-way valves by spanner; connect vacuum pump and compound valve to the service valve bonnet.
 - Open the low-pressure switch of compound valve, and run vacuum pump until units' internal pressure at 10 mmHg.
 - After pump vacuum, close the low-pressure switch of compound valve, and then close vacuum pump. Turn anti-clockwise 90° Spool of narrow pipe service valve by hexagon spanner, tightly with clockwise turning after stopping for 10 seconds.
 - Check with soap water or leak detector whether there is leakage at all connections of indoor and outdoor unit.
- Open wide and narrow pipe service valves by hexagon spanner for running.
- Take off the connection pipeline of wide pipe service valve.
 - Screw tightly the entire valve bonnet by torque spanner.
 - Check with soap water or leak detector whether there are leakage at all indoor and outdoors' connections.
 - Put the valve bonnet and lid back to position.

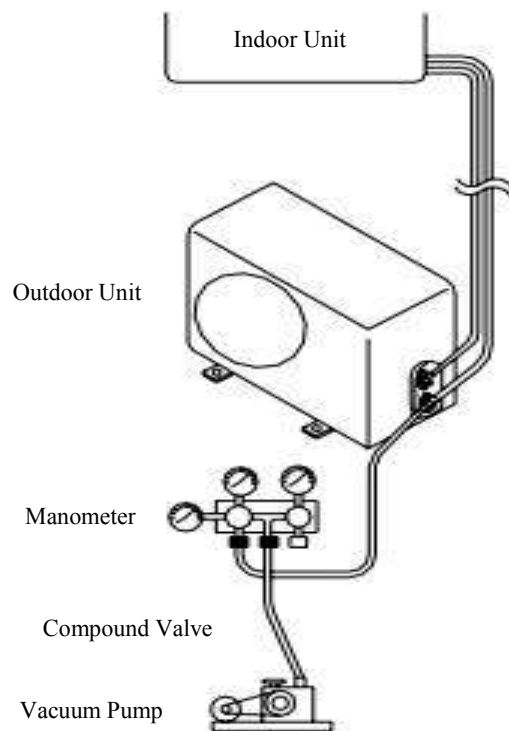


Fig 15

Gas leakage inspection

After the pipeline connection is done, use a leakage inspection device or soap to carefully check if there is any leakage at the joints. This is an important step to ensure the quality of installation. If refrigerant leaks, ventilate the area immediately. Toxic gas may be produced if refrigerant gas comes into contact with fire. Never directly touch any accidentally leaking refrigerant. This could result in severe wounds caused by frostbite.

Drainage

- **No need drainage treatment**

In regions where become cold in the winter, don't install the drain elbow joint to prevent drain water from freezing and causing the fan to be damaged. This drainage treatment is not necessary for cooling-only type air conditioner.

- **When need drainage treatment**

Please use drain elbow joint (in accessory bag). Outdoor unit should be placed on blocks.

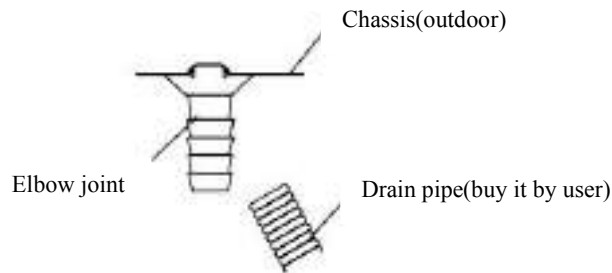


Fig 16

Installation for the cover of valve

- For the whole unit that individual cover of valve is available (refer to packing list), the installing method is as follow:

- After connecting the connection pipes between indoor and outdoor units followed by the installing method mentioned above, take out the cover of valve from the accessory bag, and fix it on the side of outdoor unit with three corresponding screws.(inside the accessory bag)

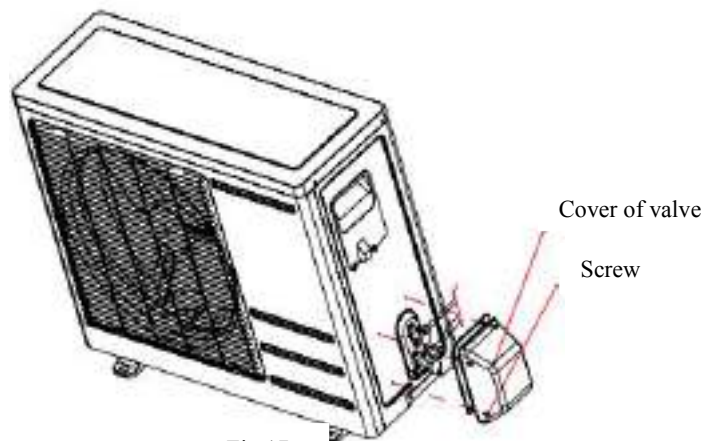


Fig 17

Fixed frequency display fault/status code display mode

	IDU DISPLAY	FAULT DETAILS	solution
1	F1	Indoor room temperature sensor fault	Replace the indoor ambient temperature sensor
2	F2	Indoor coil fault and sensor fault	Replace the indoor coil fault sensor
3	F3	Outdoor coil temperature sensor fault	Replace the outdoor coil temperature sensor
4	F4	Indoor fan motor fault	Turn off the machine or start again after the power is cut off, if there is still a direct replacement of PCB or fan motor
5	F0	Indoor fan motor zero crossing signal fault	PCBAfter closing the machine, open the machine again, and replace the PCB directly if it still appears
6	F5	Communication failure between indoor unit display board and power board	If the fault persists after the cable is reinserted, contact technical personnel or suppliers.
7	F6	Indoor unit EEPROM failure	PCB Replace PCB
8	E0	NO FAULT	
9	P1	Outdoor unit overload protection (overcurrent, system pressure)	
10	P2	Heating indoor coil overheat protection	Normal phenomenon
11	P3	Cooling indoor coil anti-freezing protection	Normal phenomenon

ÍNDICE

1. Medidas de segurança	1
2. Instruções de segurança	2
3. Descrição dos componentes	6
4. Assistência e manutenção	10
5. Resolução de problemas	12
6. Manual de Instalação	13

Medidas de segurança

Advertência: Seguir estas precauções básicas reduzirão o risco de incêndio, choque elétrico, ferimentos ou morte quando utilizar o ar condicionado.



1. O ar condicionado deve ser devidamente ligado a uma tomada elétrica ou disjuntor com a alimentação elétrica correta. E só pode ser utilizada a potência especificada.
2. Deve garantir-se uma ligação adequada à terra para reduzir o risco de choques e incêndio.
3. Não corte nem remova o pino de ligação à terra. Se não tiver uma tomada de três pinos ou um disjuntor na parede, peça a um electricista certificado para instalar uma tomada ou um disjuntor adequados. A tomada na parede ou o disjuntor DEVEM estar devidamente aterrados.
4. Não utilize se o cabo de alimentação estiver desgastado ou danificado. Evite também a sua utilização se houver fissuras ou danos por abrasão ao longo do comprimento, na ficha ou no conector.
5. Não utilize um adaptador nem um cabo de extensão.
6. Não bloqueie o fluxo de ar dentro ou fora do ar condicionado com persianas, cortinas, coberturas protetoras, vegetação ou arbustos.
7. Tenha cuidado com as arestas afiadas nas extremidades frontal e traseira da unidade que podem cortar e causar ferimentos graves.
8. Tenha cuidado ao levantar o ar condicionado para instalar ou remover a unidade. Faça isto sempre com duas ou mais pessoas.
9. Desligue sempre o ar condicionado da corrente antes de o reparar ou mover.
10. Em alguns tipos de unidades, não existe uma ficha adequada correspondente ao seu cabo de alimentação devido à potência. Nestas condições, deve ser ligado um disjuntor adequado ao seu cabo de alimentação, pelo que a parte das instruções associada à utilização da ficha não está disponível para estes tipos.
11. Um interruptor de corte de todos os polos com uma separação, com uma separação de contacto de, pelo menos, 3 mm em todos os polos, deverá ser ligado à cablagem fixa.
12. O aparelho deverá ser instalado em conformidade com a regulação nacional para instalações elétricas.
13. Este aparelho não deve ser utilizado por pessoas (incluindo crianças) com capacidades sensoriais físicas ou mentais reduzidas ou falta de experiência e conhecimento que não tenham supervisão ou instrução relativamente à utilização por parte de pessoa responsável pela segurança delas. As crianças devem ser supervisionadas, para assegurar que não brincam com o aparelho.

Instruções de segurança

Descrição do símbolo

Para evitar riscos para os utilizadores, terceiros e danos materiais, certifique-se de que segue as instruções abaixo.

Sem ter em conta as precauções de segurança, o grau de dano ou prejuízo causado por uma operação incorreta é classificado da seguinte forma:

	Advertência	O que significa este sinal: Possibilidade de morte ou de ferimentos graves.
	Cuidado	O que significa este símbolo: Possibilidade de ferimentos ou danos materiais.



Advertência: Nunca instale sem auxílio

Este ar condicionado tipo split irá funcionar por muito tempo se estiver instalado corretamente. A instalação incorreta pode causar problemas, tais como fugas de água ou agente refrigerante, choques elétricos ou incêndio.

Se o cabo de alimentação da unidade estiver desligado, queimado, lascado ou separado do terminal, para proceder à reparação, contacte o centro de assistência mais próximo ou pessoal com as mesmas qualificações ou experiência para evitar riscos elétricos.



Cuidado: Confirme o seguinte antes da instalação

Especificações elétricas:

Assegure-se de que a capacidade da tomada ou do disjuntor, bem como do cabo de alimentação é suficiente, a tensão é correta e a tomada ou o disjuntor estão ligados à terra. Caso contrário, poderá haver perigo de incêndio ou eletrocussão.

Ligação correta dos fios e das tubagens:

A ligação incorreta pode diminuir a eficiência ou levar o ar condicionado a deixar de funcionar. Também pode resultar em fugas de água ou refrigerante.

Ambientes de instalação:

Não instale o ar condicionado em locais onde haja ar inflamável ou corrosivo.

Instruções de funcionamento:

Utilize o ar condicionado de acordo com este manual.

Instruções de funcionamento

É muito importante seguir as mensagens de segurança . Estas mensagens podem ajudar a evitar ferimentos ou morte. Os símbolos de advertência alertam para ter cuidado e significam perigo. Siga sempre as instruções para estar seguro e reduzir os riscos de ferimento ou morte. Os sinais de advertência e de perigo o precedem as mensagens de segurança.

Segurança elétrica

Ligação à terra: O aparelho de ar condicionado deve ser ligado à terra. A ligação à terra reduz o risco de eletrocussão, ao oferecer um fio de fuga para a corrente elétrica.

Se o cabo de alimentação tiver uma ficha de ligação à terra com um fio terra, ligue-o a uma tomada devidamente instalada e ligada à terra.

Se o cabo de alimentação não tiver uma ficha de ligação à terra com um fio terra, o fio terra tem de ser ligado a um disjuntor devidamente instalado e ligado à terra.

Advertência: A utilização incorreta da ficha ou do disjuntor de ligação à terra pode resultar num risco de eletrocussão. Contacte um electricista qualificado se não compreender as instruções de ligação à terra ou se não tiver a certeza se o ar condicionado está devidamente ligado à terra. Se a tomada elétrica ou o disjuntor não estiverem ligados à terra, contacte um electricista para proceder à sua substituição por uma tomada ou disjuntor com ligação à terra.

Não corte nem remova o terceiro pino (terra) do cabo de alimentação em nenhuma circunstância.

Recomendamos vivamente contra a utilização de fichas ou de disjuntores adaptadores.

Condições de funcionamento

1. Temperatura: Exemplo T1: -7 °C~43 °C (16 °C ~43 °C para o tipo apenas de arrefecimento)

Exemplo T3: -7 °C ~52 °C (16 °C ~52 °C para o tipo apenas de arrefecimento)

Se a unidade funcionar muito tempo acima da temperatura, isto poderá provocar a diminuição da capacidade de arrefecimento ou acionar a proteção.

2. Humidade relativa: <80%;

Se a unidade funcionar acima da faixa de humidade, poderá formar -se condensação junto das lâminas e da saída do ar condicionado. É normal.

3. Durante a operação de aquecimento, um cheiro estranho pode sair da unidade. Trata -se de um fenómeno normal.

4. Os parâmetros de desempenho referem -se à placa de identificação.

5. O nível de impermeabilidade da unidade interior é IPX0. Não utilize o aparelho em lavandarias ou casas de banho.

6. A unidade exterior não pode ser instalada numa área fechada.

7. Fusível interior no quadro principal: 3,15 A/250 V (modelo 220 V), 5 A/250 V (modelo 115 V) .

Sugestões

- Instale a unidade num lado a Norte, já que é normalmente o lado com sombra. Isto irá melhorar o funcionamento da sua unidade.
- Utilize a tensão eléctrica e a amperagem corretas para que a unidade funcione corretamente.
- Permita apenas que um electricista qualificado faça alterações na sua tomada eléctrica ou disjuntor.
- Utilize uma linha dedicada para o funcionamento do seu ar condicionado para evitar a possibilidade de flutuações de tensão.
- Se o cabo de alimentação estiver danificado, deve ser substituído pelo fabricante, um agente de assistência autorizado ou pessoal igualmente qualificado para evitar situações de perigo.
- Tenha em consideração as dimensões do espaço necessário para a instalação, incluindo as distâncias mínimas permitidas para as estruturas adjacentes.
- O aparelho deverá ser instalado em conformidade com a regulação nacional para instalações eléctricas.
- Desligue da corrente antes de proceder à limpeza e manutenção.
- Se o aparelho não for ligado com uma ficha, deve ser incorporado na cablagem fixa um dispositivo de corte de todos os polos, que tenha pelo menos 3 mm de distância de separação em todos os polos, e um dispositivo de corrente residual (RCD) com uma corrente superior a 10 mA, de acordo com a regulamentação nacional.
- Se o aparelho for ligado com uma ficha, deve ser posicionado de forma a que a ficha esteja acessível.

Guia de poupança de energia

- Ao instalar o seu ar condicionado, assegure-se de vedar todas as áreas onde exista a possibilidade de fugas de ar.
- O fluxo de ar não deve ser bloqueado quer no interior por cortinas, cortinados ou móveis, quer no exterior por vegetação ou arbustos.
- Não utilize desnecessariamente luzes eléctricas ou outros aparelhos que produzam calor.
- Mantenha as persianas e as cortinas fechadas em todas as outras janelas.
- Quando cozinhar, utilize um extrator na cozinha para remover o excesso de calor produzido.

Instruções de funcionamento

- Apenas pode ser utilizada alimentação monofásica de corrente alternada. Consulte a placa de identificação para obter mais pormenores.
- Utilize o cabo de alimentação especificado; não o mude.
- Não ponha os dedos nem objetos pontiagudos na entrada ou na saída do ar condicionado; a ventoinha em funcionamento pode causar ferimentos.
- Não coloque nada em cima da unidade exterior.
- Não ligue ou desligue a unidade com a ficha, nem ligando ou desligando o disjuntor.
- Mantenha o interior ventilado, especialmente quando estiver a ser utilizado equipamento a gás.
- Não substitua os fusíveis por fios condutores ou outros materiais.
- Se o ar condicionado não for utilizado durante muito tempo, desligue a ficha da tomada ou desligue o disjuntor.

Instruções de segurança

O aparelho não se destina a ser utilizado por crianças pequenas ou por pessoas enfermas sem supervisão.

As crianças devem ser supervisionadas, para assegurar que não brincam com o aparelho.

Se o cabo de alimentação estiver danificado, deve ser substituído pelo fabricante, um agente de assistência autorizado ou pessoal igualmente qualificado para evitar situações de perigo.

- Não ligue o fio terra a tubagens de gás ou água. Uma ligação à terra incorreta pode causar eletrocussão.
- Não retire a ficha da tomada nem desligue o disjuntor quando o aparelho estiver em funcionamento.
- Desligue a unidade, desligue a alimentação e contacte um agente de assistência técnica se ocorrer um fenómeno anormal (p. ex., se cheirar a queimado).
- Não instale o ar condicionado em locais onde possa haver fugas de gás inflamável.
- Não coloque plantas ou animais diretamente no caminho do fluxo de ar do ar condicionado. Fazer isto pode ser prejudicial para eles.
- Contacte os agentes de assistência para obter assistência. A manutenção incorreta pode provocar acidentes.
- Desligue a unidade, desligue a fonte de alimentação e certifique -se de que a ventoinha para antes de limpar a unidade.
- Para a remoção e instalação do ar condicionado, contacte um profissional ou agentes do serviço de assistência técnica.

Funções de proteção

As funções de proteção podem prolongar a vida útil do ar condicionado e proporcionar uma circulação de ar mais confortável.

Proteção de arranque retardado do compressor

O compressor volta a funcionar pelo menos 3 minutos (5 minutos no modo Heating (Aquecimento)) após ser desligado para manter a pressão do sistema de arrefecimento equilibrada.

Prevenção de congelamento

Para evitar o congelamento do permutador de calor interior nas poderão de arrefecimento e desumidificação, o compressor ou a ventoinha exterior podem parar de funcionar e a velocidade da ventoinha interior será ajustada automaticamente para uma velocidade superior.

Secagem para a prevenção de enzimas (opcional)

O motor da ventoinha interior continua a funcionar durante 3 min. a baixa velocidade quando desligado no modo Cooling (Arrefecimento), para manter o interior da unidade seco.

Reinício automático

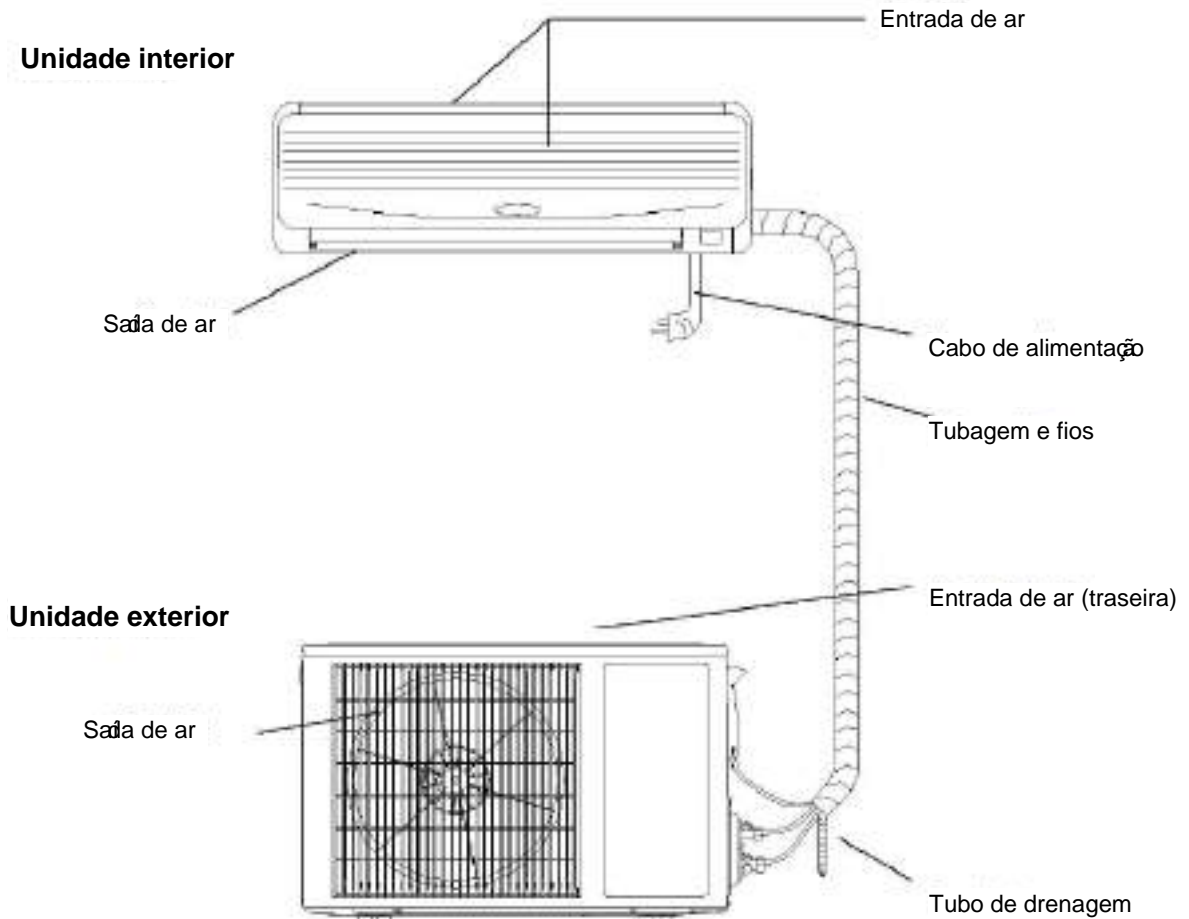
A unidade memoriza o modo de funcionamento, a definição do fluxo de ar, a definição da temperatura, etc., para, no caso de haver uma falha de energia quando a unidade estiver em funcionamento, regressar automaticamente às mesmas condições de funcionamento quando a energia é restabelecida.

Funcionamento com sobrecarga de arrefecimento (opcional)

Durante a operação de arrefecimento, se a temperatura do permutador de calor exterior for demasiado alta, a velocidade da ventoinha interior será ajustada automaticamente para uma velocidade mais baixa e o compressor poderá ser desligado.

Descrição dos componentes









Vista do aparelho



Observações:















O ar condicionado é composto por uma unidade interior, uma unidade exterior e um controlo remoto. O design e a forma variam de acordo com os diferentes modelos. As figuras acima são meramente esquemáticas e podem ser ligeiramente diferentes do aparelho real escolhido.

Visor

	<p>O visor pode mostrar a temperatura definida, os códigos de erro ou o tempo de temporização.</p>
	<p>Este indicador luminoso está aceso quando a unidade está no estado "Em funcionamento". A luz de sinalização pisca quando estiver na verificação de fluxo de ar de Descongelamento ou Arrefecimento.</p>
	<p>Este indicador luminoso está aceso quando a unidade está no temporizador.</p>
	<p>Este indicador luminoso está aceso quando o compressor está a funcionar.</p>
	<p>A piscar devido à procura, a acender devido à ligação WI -FI concluída, o que significa que a função WI -FI pode ser operada e aplicada. (Para obter mais pormenores, consulte o manual de instruções WI -FI)</p>
	<p>Esta luz de sinalização acende -se quando a unidade está na função de bem -estar.</p>
	<p>Esta luz de sinalização está acesa quando o aquecedor elétrico está a funcionar.</p>
	<p>Esta luz de sinalização está acesa quando a unidade está no estado "GEN LINK MODE".</p>

Nota: O visor LED acima é apenas para referência, sujeito ao produto real.

Controlador remoto

Botão	Introduzir	Botão	Introduzir
ON/OFF 	Utilizado para ligar/desligar o ar condicionado	UVC 	Para iniciar ou parar a função de esterilização UVC.
MODO 	Para selecionar AUTO/AQUECER/FÁ LEGAL/SECO/VENTILADOR	SAÚDE 	Pressione para o modo "Ar Fresco".
Dormir 	Para selecionar a função SLEEP	QUIET 	Exibido ao pressionar Botão BASTANTE .(opcional)
▼/—/◀	Pressione "▼/—/◀" para diminuir.	 AUH	O símbolo aparece ao pressionar o botão "AUH" no modo HEAT.
▲/+/>	Pressione "▲/+/>" para aumentar	GEN LINK	carregue neste botão para definir ou cancelar MODO DE LIGAÇÃO GERAL
VELOCIDADE	Para selecionar entre as velocidades:		
DISPLAY 	Se pressionar este botão, o led indicador no split vai desligar. Pressione qualquer outro botão para voltar a acender.		
 I FEEL	Pressione para entrar no modo I FEEL.		
 SWING V-SWING V-SWEEP	Para definir se a hélice horizontal vai se mover ou não		
 H-SWEEP	Para definir se a hélice vertical vai se mover ou não		
 TEMPO	Pressione este botão para ativar a função temporizador		
TURBO	Para iniciar ou desligar o modo turbo		
ECO 	Pressione p/ entrar no modo economia de energia.		
 LIMPEZA	Pressione este botão para ativar a tecnologia de limpeza automática		
Função	Quando o botão FUNCTION (FUNÇÃO) é permitido, são apresentados todos os ícones de funções opcionais neste modo		
CUIDADOS	No modo de resfriamento ou no modo de aquecimento pode ser ativado ou desativado com este botão		

Remarks:

1. A temperatura pode ser definida entre 16°C~32°C.
2. Se o usuário quiser que o ar do ambiente aqueça ou refrigere rapidamente, pode-se usar a função TURBO. Quando chegar a temperatura desejada, pode desativar a função.
3. A ilustração do controle remoto acima é apenas para referência, o produto que adquiriu pode vir com uma versão diferente do controle.

Visor do controlo remoto

Display do controle remoto

Display	Introduzir	Display	Introduzir
	Aparece quando a função turbo é definido no modo COOLING ou HEAT.		Aparece quando a função I FEEL está configurada.(opcional)
	Exibido de acordo com a posição vertical das lâminas e giro ou não.		Exibido ao girar no gerador modo.(opcional)
	Exibido ao pressionar o botão "H-SWEEP.(opcional)		O processo de limpeza automática demora cerca de 30 minutos e termina automaticamente após a conclusão da limpeza
	AUTO		Exibido ao pressionar o botão ECO ,(opcional)
	SECO		Display quando a função Care está definida
	AQUECER		F significa Fahrenheit e C significa Celsius
	VENTILADOR		AUTOMÁTICO display
	LEGAL		alta velocidade display
	Aparece quando o sinal de controle é emitido.		Velocidade média display
	Exibido ao definir a hora para ligar ou desligar o ar condicionado		baixa velocidade display
	Aparece quando a função UVC/HEALTH é definida.(opcional)		Velocidade média-baixa display
	o juste de temperatura e tempo de cronometragem		velocidade média-alta display
	Exibido ao pressionar o botão "LOCK".		
	Exibido ao pressionar o botão "Sleep", a unidade funcionará no modo sleep.		
	O símbolo aparece ao pressionar o botão "AUX" no modo HEAT. (opcional)		
	Exibido ao pressionar Botão BASTANTE.(opcional)		

Controle remoto

- 1.O controle remoto usa duas pilhas AAA Alcalinas em boas condições, as pilhas duram na media de 6 meses, utilize baterias da mesma marca para melhor desempenho e fique atento com os polos das pilhas.
- 2.O controle tem até 8 metros de alcance.
- 3.Para melhor funcionamento Aponte o controle para o aparelho e evite obstáculos para evitar a perda de sinal.
- 4.Pressionar dois ou mais botões simultaneamente pode provocar mal funcionamento.
- 5.Não utilize equipamento wirelees próximo ao aparelho (inclusive celulares), caso ocorra interferência, desligue o aparelho, retire da tomada e recoloque novamente.
- 6.Não derrube e evite quedas.
- 7.Não deixe o controle remoto no sol por muito tempo.
- 8.Não utilize água para limpar o controle, utilize apenas um pano seco.
- 9.Para a função de apenas resfriamento o controle não exibira "SMART" e "HEAT"

Assistência e manutenção

A manutenção cuidadosa e a revisão antecipada podem prolongar a vida útil do aparelho de ar condicionado e poupar nas despesas de eletricidade.

Cuidado:

- Desligue o ar condicionado com o controlo remoto e desligue a ficha da tomada antes de fazer trabalhos de reparação e manutenção.
- Não suba para cima de objetos instáveis quando limpar ou fizer a manutenção do ar condicionado; isto poderá provocar ferimentos.
- Não toque na parte metálica da caixa do ar condicionado quando retirar o painel frontal; isto poderá provocar ferimentos.



Limpar o painel frontal e o controlo remoto

Se não for possível remover a sujidade, limpe-o com um pano húmido morno (embebido em água morna a menos de 40 °C)

Cuidado:

- Não limpe a unidade com água; isto poderá provocar choques elétricos.
- Não limpe o controlo remoto com água.
- Não limpe com álcool, gasolina, óleo de banana ou produtos de polir.
- Não limpe a unidade bruscamente; isto poderá provocar a queda do painel frontal.
- Não limpe o painel frontal ou o controlo remoto com uma escova metálica; isto poderá danificar a superfície.



Limpar o filtro de ar

- Abra o painel frontal.
- Levante a parte saliente e, em seguida, empurre-a para baixo e retire o filtro de ar.
- Limpe-o com um aspirador ou com água. Se o filtro de ar estiver muito sujo, lave-o com água morna com sabão ou um detergente suave. Em seguida, seque-o à sombra.
- Insira o filtro de ar na posição anterior e feche o painel frontal.



Nota:

1. O filtro de ar deve ser limpo pelo menos uma vez de duas em duas semanas, caso contrário, a capacidade de aquecimento ou arrefecimento será reduzida.
2. Não limpe o filtro de ar com uma escova metálica; poderá danificá-lo.



Sem utilização durante muito tempo

- Ligue a oscilação durante 3 -4 horas para secar o interior do ar condicionado.
- Pare a operação utilizando o controlo remoto e, em seguida, desligue o ar condicionado da corrente.
- Mantenha a rede do filtro de ar.
- Tire as pilhas do controlo remoto.

Recomendações para a poupança de energia

- **Defina a temperatura adequada:** É prejudicial para a saúde se a divisão estiver demasiado fria.
- **Evite a luz solar direta:** Durante o arrefecimento, utilize cortinas ou persianas para obstruir a luz solar direta.
- **Evite fontes de calor:** Durante o arrefecimento, utilizar outras fontes de calor poderá afetar o efeito de arrefecimento.
- **Feche as portas e as janelas:** A entrada de ar do exterior afetará a eficiência do arrefecimento ou do aquecimento.
- **Mantenha o filtro de ar limpo.** Manter o filtro de ar limpo garante a elevada eficiência do funcionamento.
- **Boa ventilação:** Não coloque objetos à frente da entrada e da saída da unidade de exterior.

Fenómenos normais

- Durante o aquecimento ou o arrefecimento, os materiais plásticos podem emitir um som devido a alterações da temperatura.
- Se a humidade no interior for demasiado alta, poderão formar-se gotas de água na grelha frontal da unidade interior. Isto é um fenómeno normal.
- Poderá haver um ligeiro “restolhar” quando a unidade arranca ou para. Isto é o som normal da circulação do refrigerante.
- Paredes, carpetes, mobiliário ou roupa no interior podem emitir odores estranhos.
- De forma a proteger a unidade, quando o compressor parar, haverá um atraso de 3 minutos antes de voltar a arrancar.
- Durante os primeiros minutos da operação de aquecimento, poderá não sair ar da unidade interior.
- Pode sair água da unidade exterior durante o funcionamento do aquecimento.
- Pode sair vapor durante o funcionamento do aquecimento quando estiver a descongelar.

Resolução de problemas

O ar condicionado apresenta erro

Verificar antes de recorrer à assistência.

Problemas	Itens a verificar
O ar condicionado não funciona	1. Verifique se a alimentação está desligada.
	2. Verifique se o disjuntor está ligado ou se o fusível está queimado.
	3. Verifique as pilhas do controlo remoto.
	4. Verifique se está a ser utilizado equipamento de rádio num raio de 1 m à volta da unidade.
Fraco desempenho de refrigeração ou de aquecimento.	1. Verifique se a entrada ou a saída de ar estão bloqueadas.
	2. Verifique se existe pó a bloquear o filtro.
	3. Poderá haver demasiadas pessoas no interior.
	4. Verifique se as portas ou as janelas estão fechadas.
	5. Verifique se a velocidade da ventoinha ou a temperatura definida são adequadas.

O controlo remoto apresenta erro

A seguinte resolução de problemas destina-se a fenómenos normais

Problemas	Itens a verificar
A ventoinha para ou não é possível controlar a velocidade da ventoinha.	1. Quando o ar condicionado está no modo de desumidificação ou no modo de suspensão, por vezes não é possível controlar a velocidade da ventoinha.
	2. Quando o ar condicionado está na verificação de fluxo de ar frio ou na operação de descongelação (modo de aquecimento), o motor do ventilador para.
	3. Quando o ar condicionado está no modo de frio ou de desumidificação, se entrar na prevenção de congelamento, não será possível controlar a velocidade da ventoinha.
	4. Quando o ar condicionado está no modo de calor, se entrar na prevenção de sobrecarga de aquecimento, não será possível controlar a velocidade da ventoinha.

Manual de Instalação

Introdução

Advertência: Alguns modelos têm R32 ou outros fluidos frigoríficos inflamáveis, que têm de ser operados e utilizados em conformidade com as instruções de utilização.

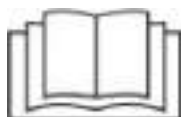
1. Os aparelhos de ar condicionado devem ser armazenados em áreas sem fontes persistentes de ignição, tais como chamas abertas, aparelhos a gás acesos, aquecedores elétricos ligados, etc.
2. Não perfurar nem inflamar o aparelho de ar condicionado.
3. Antes de efetuar a manutenção ou reparação de um ar condicionado com agente refrigerante R32, deve ser realizada uma inspeção de segurança para garantir que o risco de perigo é minimizado.
4. Se o aparelho de ar condicionado tiver uma fuga de agente refrigerante, abra imediatamente todas as portas e janelas, mantenha a divisão ventilada, desligue a corrente, saia da divisão e contacte o serviço de reparação.
5. Ao instalar ou deslocar o ar condicionado, certifique-se de que purga o circuito do agente refrigerante para garantir que não tem ar e utilize apenas o agente refrigerante especificado (R32). A presença de ar ou de outras matérias estranhas no circuito do agente refrigerante provoca um aumento anormal da pressão, o que pode provocar danos no equipamento e até ferimentos.
6. A bomba de vácuo deve ser utilizada para a evacuação, sendo estritamente proibido utilizar o agente refrigerante da fuselagem para evacuação.
7. Após concluída a instalação, verifique se há fugas de gás refrigerante.
8. Antes de instalar e utilizar o ar condicionado, verifique cuidadosamente os seguintes sinais de segurança.



Atenção, risco de incêndio



Leia atentamente o manual de manutenção!



Leia atentamente o manual de instruções!



Leia atentamente as instruções de instalação!

Guia de instalação

- Este ar condicionado cumpre as normas de segurança e funcionamento nacionais promulgadas.
- É necessário contactar um profissional de assistência e manutenção de sistemas de ar condicionado para instalar ou remover o ar condicionado. Poderão ocorrer problemas e poderá sofrer prejuízos se a instalação não for feita por profissionais.
- Deverá assegurar que a potência satisfaz os requisitos de instalação e funcionamento; consulte a placa de identificação para obter detalhes sobre a tensão para este produto. As tensões fora desta faixa afetarão o funcionamento normal do ar condicionado.
- Deve utilizar-se um ponto de alimentação separado com um protetor de fusíveis com retardamento ou um disjuntor automático para o ar condicionado.
- O ar condicionado tem de estar ligado à terra de forma correta ou poderá provocar choques elétricos ou incêndio.
- Não ligue a alimentação do ar condicionado antes de ligar bem e de verificar cuidadosamente as tubagens e os fios.
- O aparelho não deve ser instalado em lavandarias ou casas de banho.
- Caso necessário, consulte a entidade competente para obter informação sobre o sistema.
- A ficha deve estar acessível depois de instalar o aparelho.
Estas instruções estão sujeitas a alterações sem aviso prévio.

Instalação de acessórios

- Verifique cuidadosamente a lista da embalagem anexada e confirme se estão todos os acessórios.
- Poderá precisar de adquirir separadamente os acessórios que não se encontrem incluídos na lista de embalagem e que possam ser necessários para a instalação.

Posição da unidade interior

- Longe de locais onde haja fontes de calor, vapor, gás inflamável e fumo.
- Sem obstáculos junto da entrada e da saída, e com boa ventilação.
- Bom escoamento para a água.
- A pelo menos 1 m de distância de equipamento sem fios (tais como TV, rádios, etc.).
- Montada numa parede que possa suportar o peso do ar condicionado e que não produza ruído durante o funcionamento da unidade.
- A distância entre a unidade interior e o chão é superior a 2,3 m.
- A ficha deve estar acessível depois de instalar o aparelho.
- Assegure-se de que a distância é a indicada na Fig.1.
- A parte traseira da unidade interior deve ficar junto da parede (Fig.1)
- Todas as figuras acima são meramente esquemáticas e podem ser ligeiramente diferentes do aparelho real escolhido.

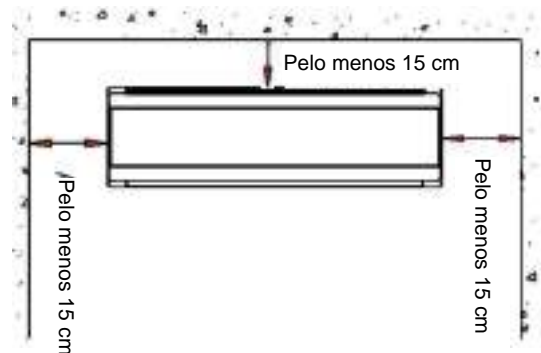


Fig. 1

Posição da unidade exterior

- Evite a luz solar direta.
- Mantenha longe de fontes de calor, vapor, gás inflamável, fumo e pó
- Escolha um local afastado da chuva (neve) e bem ventilado.
- Os vizinhos não sejam afetados pelo ar e ruído soprados ou pela água descarregada.
- Um local de fácil instalação e manutenção.
- A montagem numa base sólida e fiável não aumentará o ruído ou a trepidação.
- Para obter um elevado desempenho de arrefecimento, certifique-se de que a frente, a traseira, o lado esquerdo e o lado direito da unidade estão situados numa área aberta.
- É recomendado que a saída esteja ao ar livre, qualquer obstáculo irá afetar o desempenho.
- A distância de instalação deve ser a indicada na Fig. 2.

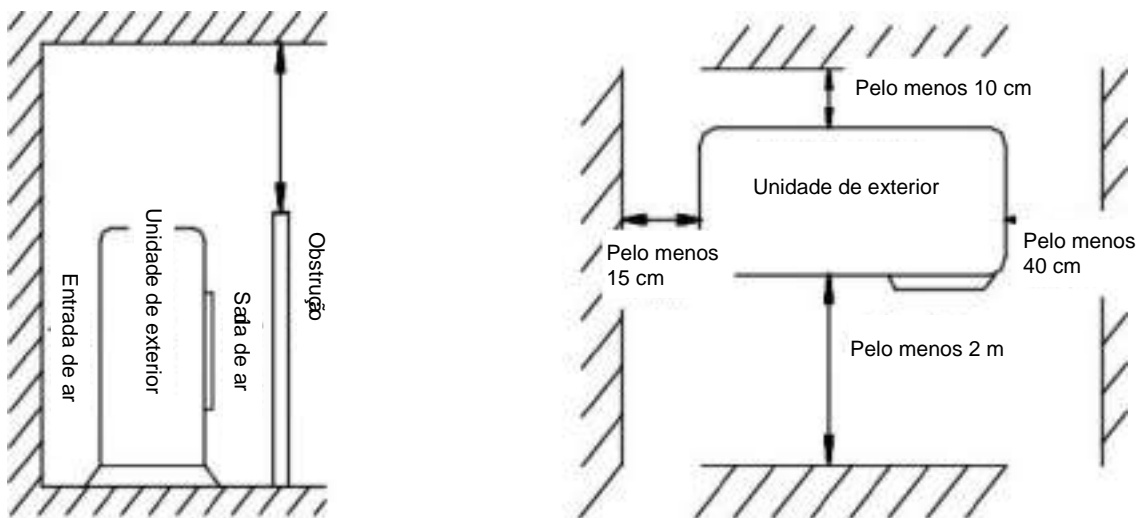


Fig. 2

Seleção da tubagem

- Assegure-se de que a diferença de nível (altura) das unidades interior e exterior e o comprimento da tubagem cumprem os requisitos na Tabela 1.
- Se a tubagem tiver mais de 7 m e menos de 15 m, o refrigerante deve ser suplementado de acordo com a Tabela 1.
- Se a posição de instalação da unidade exterior for mais alta do que a unidade interior e a tubagem for maior do que 10 m, adicione um coletor de óleo na tubagem de gás por cada 8 m. (Fig. 3)

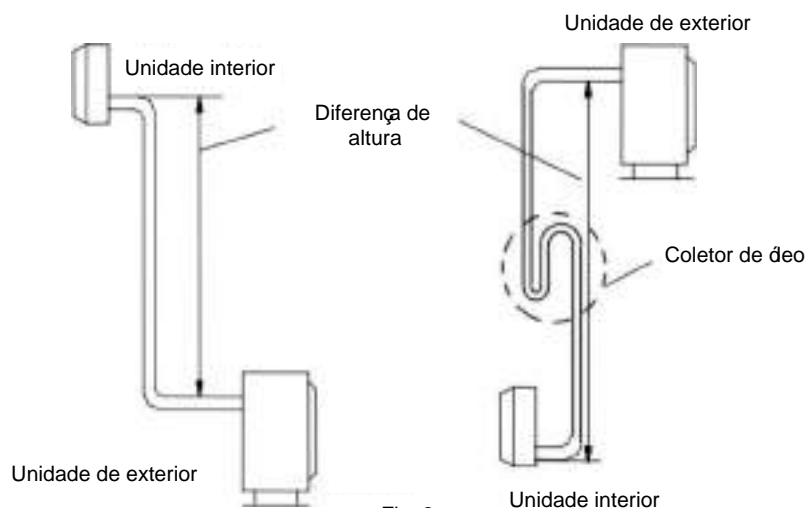


Fig. 3

Tabela 1

Tamanho da tubagem		Comprimento de tubo normal (m)	Comprimento de tubo máx. (m)	Diferença de altura (m)	Refrigerantes adicionais (g/.m)
Estreito (mm)	Largo (mm)				
Φ 6(1/4")	Φ 9(3/8")	5.0	9	5	12
Φ 6(1/4")	Φ 12(1/2")	5.0	12	7	12
Φ 6(1/4")	Φ 15.88(5/8")	5.0	15	8	12
Φ 9(3/8")	Φ 15.88(5/8")	5.0	15	8	15
Φ 9(3/8")	Φ 19.05(3/4")	5.0	20	10	15

As dimensões acima são apenas para referência, pelo que o produto real prevalecerá

Fixação da placa de instalação

- Desmonte a placa de instalação metálica da unidade da unidade interior. Colocar a placa de instalação na posição horizontal. A diferença de altura entre os lados esquerdo e direito da placa de instalação deve ser inferior a 5 mm (Fig. 4).
- Faça orifícios e insira tubos de expansão de plástico nos locais adequados da parede e fixe a placa de instalação na parede com parafusos M5x30. Assegure-se de que existem, pelo menos, 4 pontos fixos na parede. Assegure-se de que a placa de instalação está na posição horizontal.
- Perfure conforme indicado na Fig. 5. O orifício, com 80 mm de diâmetro, deve deslizar ligeiramente para o exterior.
- Corte os tubos de PVC num ângulo ligeiramente menor do que a espessura da parede e passe -os pelo orifício. (Fig. 5)
- Monte a cobertura da parede.

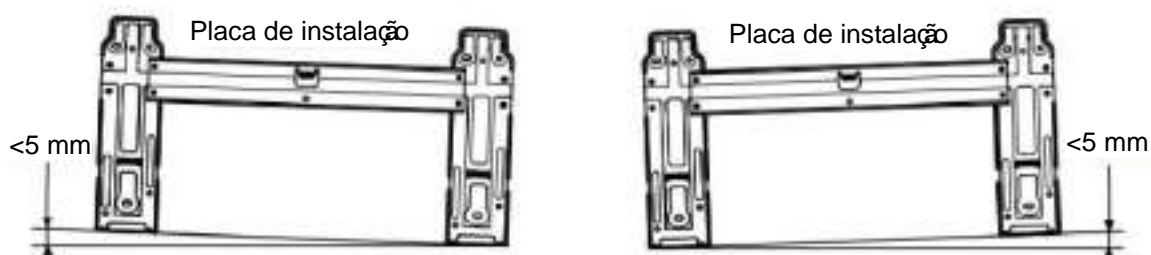


Fig. 4
Parede

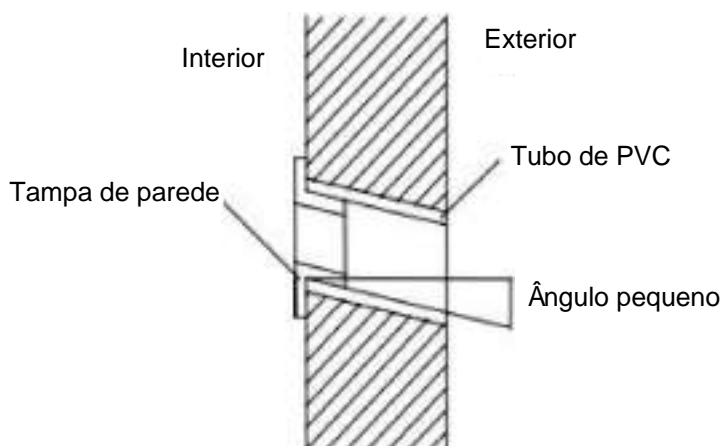
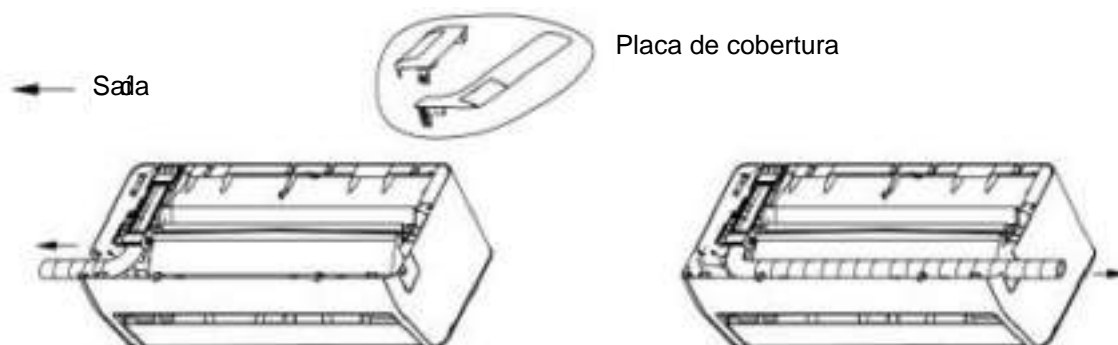


Fig. 5

Fixação: instruções de instalação da placa de cobertura decorativa



Passo 1: Enrole fita protetora de PVC à volta do tubo de drenagem, do tubo de cobre e do cabo. Ajuste o tubo de cobre a uma forma adequada.



Passo 2: Instale a placa de cobertura



Passo 3: Acabamento

Nota: O esquema acima pode ser diferente do produto real. Consulte o produto real.

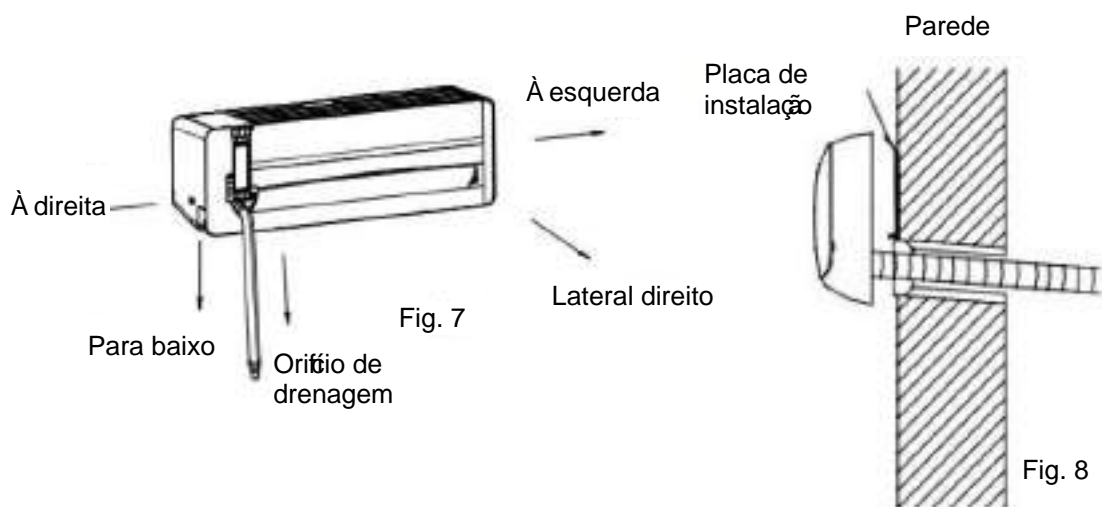
Instalação da unidade interna

O tubo pode ser ligado em várias direções, conforme ilustrado nas figuras abaixo.

1. Ligar o tubo traseiro direito (semelhante ao tubo inferior direito)
(Opcional, consulte a Fig. 6)
 - Retire a tubagem da parte inferior do chassis e ligue o tubo de drenagem. Prenda bem a junta da tubagem. Passe o fio da ligação para a unidade interior (Não ligue à alimentação).
 - Prenda os tubos, o tubo de descarga e o fio da ligação com fita adesiva. O tubo de descarga é colocado em baixo. Retire a placa que se encontra no chassis.
 - Verifique se as ligações são fiáveis.
 - Monte a unidade interior nos dois ganchos na parte superior da placa de instalação. (Consulte a Fig. 8)
2. Ligar o tubo traseiro esquerdo (semelhante ao tubo inferior esquerdo). (opcional, consulte a Fig. 9)
 - Mova o tubo de descarga para o lado esquerdo e a tampa de descarga para o lado direito.
 - Fixe os tubos na ranhura da unidade interior com a abraçadeira fixa.
 - Os passos de montagem a seguir são iguais aos passos em “1. Ligar o tubo traseiro direito.”

Notas: A tabela da esquerda mostra a posição do tubo de descarga, consulte a Fig. 7.

A tabela da direita mostra a posição do tubo de descarga, consulte a Fig. 9.



Instalação da unidade externa

- Se forem necessários suportes de instalação para instalar a unidade exterior, poderá adquiri-los junto da nossa empresa ou dos nossos agentes (Fig. 10).
- Monte a estrutura de montagem e os suportes com os 6 parafusos (M12x25), arruelas planas, arruelas de pressão e porcas incluídos.
- Faça 4 ou mais furos na parede de acordo com o tamanho dos pés do ar condicionado. Determine a localização dos suportes de montagem esquerdo e direito. Assegure-se de que os suportes esquerdo e direito estão ao mesmo nível.
- Fixe a estrutura de instalação na parede com parafusos de expansão.
- Fixe a unidade exterior com 4 parafusos (M10x25) nos suportes de instalação.
- As peças devem estar bem aparafusadas; a ligação deve estar bem apertada e ser fiável.
- Ao instalar a unidade exterior, o corpo deve ser pendurado com cordas para evitar que caia.
- Ao instalar ou reparar, deve-se evitar a queda das ferramentas e dos componentes.
- Verifique regularmente a fiabilidade da estrutura de instalação.

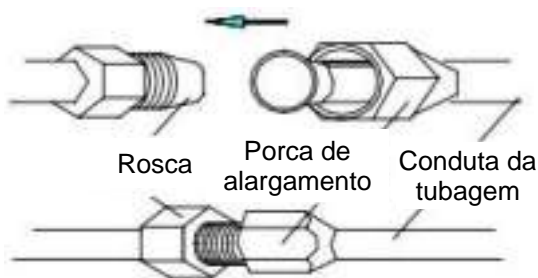


Fig. 10

Suporte de instalação

Ligação da tubagem

- Retire a cobertura da válvula da unidade exterior.
- Alinhe a porca flangeada com o centro da rosca e enrosque bem a porca à mão.
- Enrosque bem a porca flangeada com a chave dinamométrica até que esta faça um “clique”.
- Recomenda-se a utilização de uma chave dinamométrica para ligar a tubagem. Se for utilizada outra chave sextavada flexível ou fixa, poderá danificar o bocal devido à aplicação de força inadequada.
- O ângulo de curvatura do tubo não deve ser demasiado pequeno, caso contrário, o tubo poderá partir-se, pelo que o técnico deverá utilizar um dobrador de tubos para curvar o tubo.
- Nunca deixe entrar água, pó ou areia dentro do tubo.



Chave inglesa



Chave
dinamométrica

Fig. 11

Tabela 2	
Tamanho do tubo (mm/pol.)	Torque (N.m)
Φ6 (1/4")	15-20
Φ9(3/8")	35-40
Φ12 (1/2")	50-55
Φ15,88 (5/8")	60-75
Φ19,05 (3/4")	80-95

Ligação do fio

1. Unidade interior (Fig. 12)

- Abra o painel para cima e abrir diretamente para o máximo.
- Abra a cobertura da caixa elétrica.
- Fixe os fios de ligação ao bloco de terminais de acordo com o esquema de ligações na cobertura da caixa elétrica.
- Prima firmemente o fio de ligação com a placa de pressão.
- Feche a tampa elétrica, fixe a cobertura da caixa elétrica com parafusos e feche o painel.

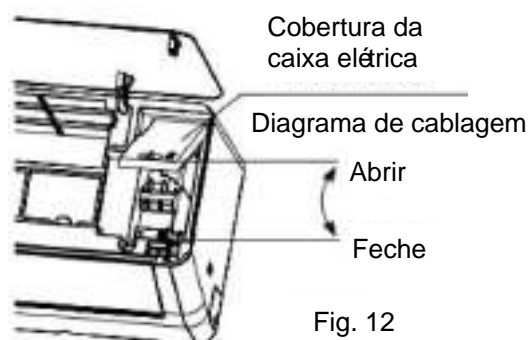


Fig. 12

1. unidade exterior (Fig. 13)

- Desaperte o parafuso de fixação da cobertura da pega e abra-a.
- Fixe os fios de ligação ao bloco de terminais de acordo com o esquema de ligações na cobertura da pega.
- Prima firmemente o fio de ligação com a placa de pressão.
- Volte a colocar a cobertura da pega e fixe-a com os parafusos.

Se os clientes precisarem de prolongar ou substituir o cabo de alimentação, consulte a Tabela 3 para obter as especificações.

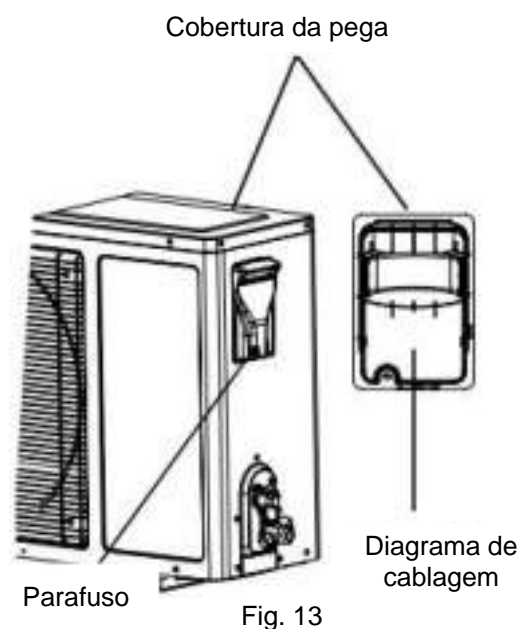


Fig. 13

Tabela 3

		Fios de ligação elétrica	Fios de controlo de sinal	Cabo de alimentação
	Comprimento máx.	10 m	10 m	5 m
5K/7K/9K/12K	Área transversal	≥1,0 mm ²	≥1,0 mm ²	≥1,0 mm ²
16K/18K/24K(220V) 9K/12K(115V)		≥1,5 mm ²	≥1,5 mm ²	≥1,5 mm ²
18K/21K/24K/28K/30K/36K		≥2,5 mm ²	≥0,5 mm ²	≥2,5 mm ²

Notas:

- Deve utilizar-se um parafuso especial para a ligação à terra (parafusos em aço inoxidável ou parafusos de cobre M4).
- Assegure-se de que todos os fios estão ligados firmemente e que não se soltam ou separam.
- Assegure-se de que as ligações dos fios são feitas de acordo com o diagrama de cablagem do ar condicionado.
- As figuras acima são meramente esquemáticas e podem ser ligeiramente diferentes do aparelho real escolhido

Revestimento do tubo

- Seja cuidadoso ao realizar o revestimento com fita protetora de PVC, não danifique a conduta da tubagem ou o tubo de drenagem.
- O revestimento deve começar pela parte inferior da unidade exterior até à unidade interior.
- Fixe a fita de PVC com fita adesiva para evitar que se solte.
- O tubo de drenagem deve ficar ligeiramente para fora, para garantir uma boa drenagem.
- Quando a unidade interior estiver mais baixa do que a unidade exterior, dobre o tubo na medida adequada para evitar que a água drenada entre em casa.
- Fixe o conjunto de tubos com abraçadeiras para tubos na parede.
- Deixe espaço suficiente entre o tubo de descarga e o chão. Não coloque o tubo de descarga na água ou numa vala.
- Vede os orifícios externos da parede com massa vedante ou similar.

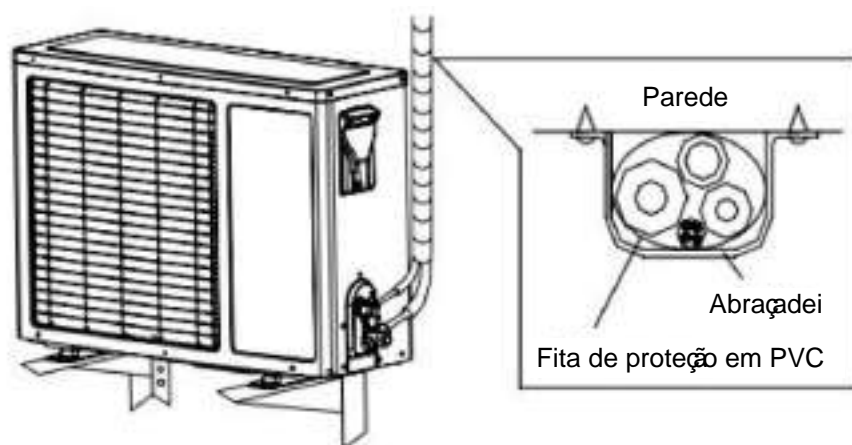


Fig. 14

Exaustão

- Assegure-se de que todos os tubos da unidade interior e exterior estão ligados corretamente.
- Retire o castelo das válvulas de duas e três vias com uma chave inglesa; ligue a bomba de vácuo e a válvula composta ao castelo da válvula de serviço.

Abra o pressostato de baixa pressão da válvula composta e utilize a bomba de vácuo até a pressão interna das unidades atingir 10 mmHg.

- Após isso, feche o pressostato de baixa pressão da válvula composta e, em seguida, feche a bomba de vácuo. Rode o pistão da válvula de serviço do tubo estreito 90° no sentido contrário ao dos ponteiros do relógio com uma chave sextava, rodando firmemente no sentido dos ponteiros do relógio após uma paragem de 10 segundos.
- Verifique todas as ligações da unidade interior e exterior, com água com sabão ou com um detetor de fugas, para ver se existem fugas.

Abra as válvulas de serviço do tubo largo e do tubo estreito com uma chave sextavada para abrir a circulação.

- Retire a tubagem de ligação da válvula de serviço do tubo largo.
- Aperte bem o castelo da válvula com uma chave dinamométrica.
- Verifique todas as ligações interiores e exteriores com água e sabão ou com um detetor de fugas para ver se existe alguma fuga.
- Volte a colocar o castelo e a tampa da válvula na posição.

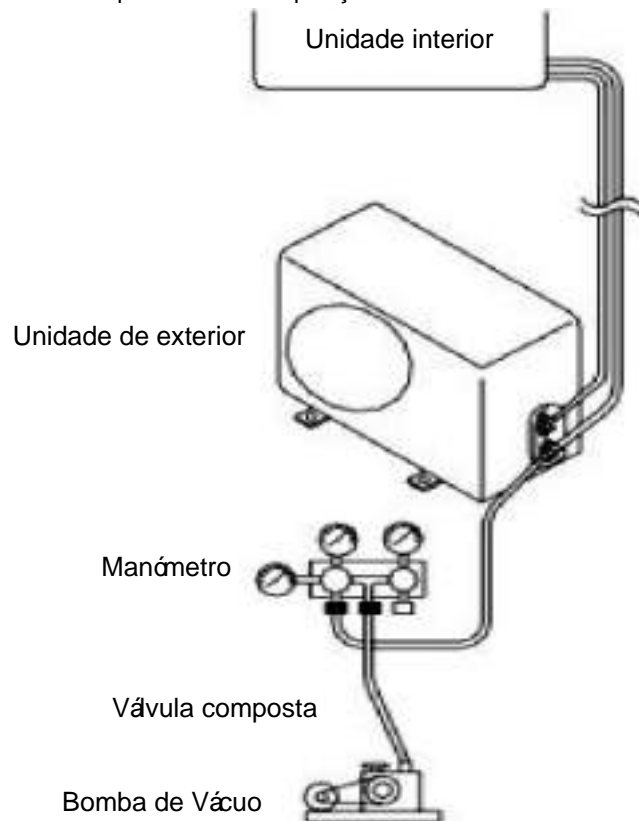


Fig. 15

Inspeção de fuga de gás

Depois de a ligação da tubagem estar concluída, utilize um dispositivo de verificação de fuga ou sabão para verificar cuidadosamente se há alguma fuga nas juntas. Este é um passo importante para assegurar a qualidade da instalação. Se houver fugas de refrigerante, ventile imediatamente a área. Pode ser produzido gás tóxico se o gás refrigerante entrar em contacto com o fogo. Nunca toque diretamente em qualquer fuga acidental de agente refrigerante. Isto pode resultar em feridas graves provocadas por queimaduras pelo frio.

Drenagem

- **Sem necessidade de tratamento de drenagem**

Nas regiões onde o inverno seja frio, não instale a junta de drenagem para evitar que a água de drenagem congele e danifique a ventoinha. Este tratamento de drenagem não é necessário para o tipo de aparelho de ar condicionado apenas com arrefecimento.

- **Com necessidade de tratamento de drenagem**

Utilize a junta de drenagem (incluída no saco de acessórios). A unidade exterior deve ser colocada em blocos.

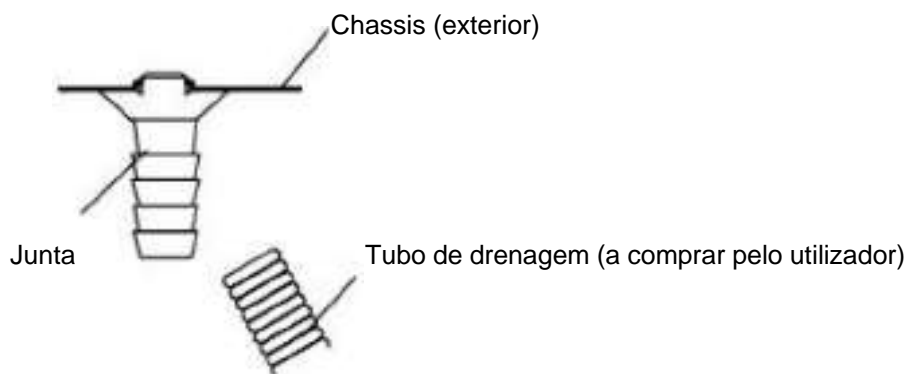


Fig. 16

Instalação da cobertura da válvula

- Para as unidades com esta cobertura de válvula disponível (consulte a lista de embalagem), o método de instalação é o seguinte:
- Após ligar os tubos de ligação entre as unidades interior e exterior, seguindo o método de instalação mencionado acima, retire a cobertura da válvula do saco de acessórios e fixe-a na parte lateral da unidade exterior com os três parafusos correspondentes. (dentro da bolsa de acessórios)

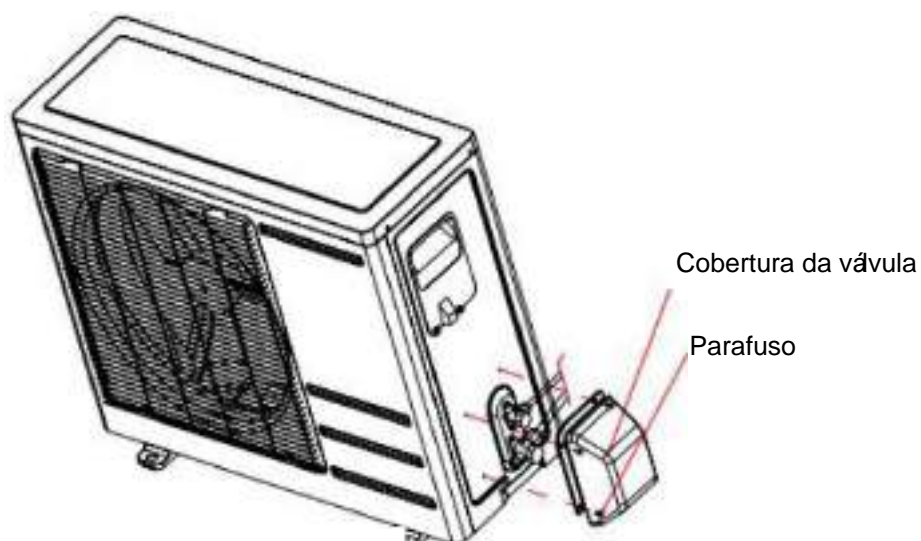


Fig. 17

Falha no display de frequência fixa/modo de exibição de código de status.

	IDU DISPLAY	DETALHES DA FALHA	Solução
1	F1	Falha no sensor de temperatura ambiente interno.	Substitua o sensor de temperatura ambiente interno.
2	F2	Falha na serpentina interna e falha no sensor.	Substitua o sensor da falha da serpentina interna.
3	F3	Falha no sensor de temperatura da serpentina externa.	Substitua o sensor de temperatura da serpentina externa.
4	F4	Falha no motor do ventilador interno.	Desligue a máquina ou reinicie após o corte de energia. Se o problema persistir, substitua diretamente a placa principal (PCB) ou o motor do ventilador.
5	F0	Falha no sinal de cruzamento por zero do motor do ventilador interno.	Após desligar a máquina, ligue-a novamente e substitua a placa PCB diretamente se o problema continuar aparecendo.
6	F5	Falha de comunicação entre a placa de display da unidade interna e a placa de potência.	Se a falha persistir após o cabo ser reinserido, entre em contato com o pessoal técnico ou fornecedores.
7	F6	Falha na EEPROM da unidade interna.	Substitua a placa PCB.
8	E0	SEM FALHA	
9	P1	Proteção por sobrecarga da unidade externa (sobrecorrente, pressão do sistema).	
10	P2	Proteção contra superaquecimento da serpentina interna no modo aquecimento.	Fenômeno normal.
11	P3	Proteção contra congelamento da serpentina interna no modo resfriamento.	Fenômeno normal.

ÍNDICE DE MATERIAS

1. Precauciones de seguridad.....	1
2. Instrucciones de seguridad.....	2
3. Descripción de componentes	6
4. Servicio y mantenimiento.....	10
5. Resolución de problemas	12
6. Manual de instalación	13

Precauciones de seguridad

ADVERTENCIA: Si cumple estas precauciones básicas reducirá el riesgo de incendio, descargas eléctricas, lesiones o muerte cuando utilice el equipo de aire acondicionado.



1. El equipo de aire acondicionado debe conectarse a una toma de corriente o a la red eléctrica con un disyuntor adecuado. Y únicamente se puede usar la potencia especificada.
2. Hay que garantizar una conexión a tierra adecuada para reducir el riesgo de incendio y descarga eléctrica.
3. No corte ni elimine la patilla de toma de tierra del enchufe. Si su toma de corriente o la conexión a la red eléctrica no tienen el cable de conexión a tierra, contacte con un electricista para que le instale una toma de corriente o un disyuntor adecuado. La toma de corriente o el disyuntor TIENEN QUE estar correctamente conectados a tierra.
4. No utilice el equipo si observa el cable de alimentación deshilachado o con daños de otro tipo. También evite su uso si observa grietas o abrasiones en el enchufe, el conector o en el propio cable.
5. No utilice adaptadores de corrientes ni alargaderas.
6. No permita que el flujo de aire de las unidades interior y exterior del equipo de aire acondicionado se vea bloqueado por persianas, cortinas, visillos, tapas protectoras, arbustos o plantas.
7. Tenga cuidado con los bordes afilados de las aletas delanteras y traseras de la unidad que podrán cortar, causando lesiones graves.
8. Tenga cuidado cuando levante el equipo de aire acondicionado para instalarlo o desmontarlo. Hágalo siempre entre dos o más personas.
9. Corte siempre la alimentación eléctrica del equipo de aire acondicionado antes de realizar mantenimientos, reparaciones o moverlo.
10. En algunos tipos de unidades, no se incluye el enchufe adecuado a su cable de alimentación debido a la potencia. Para tales potencias, el cable de alimentación tiene que estar vinculado a un disyuntor apropiado, careciendo estos tipos de unidades de instrucciones asociadas al enchufe, ya que carecen de él.
11. Deberá conectarse el cableado fijo a través de un interruptor de desconexión omnipolar que separe todos polos un mínimo de 3 mm.
12. Este aparato debe instalarse de conformidad con las normativas nacionales de cableado.
13. Este dispositivo no está diseñado para ser utilizado por personas (incluidos niños) con capacidades físicas, sensoriales o mentales reducidas o con falta de experiencia y conocimientos, a menos que hayan sido instruidos o supervisados sobre el uso del dispositivo por parte de una persona responsable de su seguridad. Los niños deben ser supervisados para garantizar que no jueguen con el aparato.

Instrucciones de seguridad

Descripción de los símbolos

Para evitar riesgos a los usuarios, a terceros y daños a la propiedad, asegúrese de seguir las siguientes instrucciones.

Sin tener en cuenta las precauciones de seguridad, el grado de daño o perjuicio causado por un uso incorrecto se clasifica de la siguiente manera:

	Advertencia	Significado de este signo: Posibilidad de muerte o de lesiones graves.
	Precaución	Significado de este símbolo: Posibilidad de lesiones o daños materiales.



Advertencia: Nunca instale el equipo usted mismo

El equipo de aire acondicionado Split tiene una vida útil prolongada si se instala correctamente. Una instalación incorrecta podrá causar problemas como goteos de agua o refrigerante, una descarga eléctrica o un incendio.

Si el cable de alimentación de la unidad está desconectado, quemado, cuarteado o se ha desprendido del terminal, solicite su reparación en el centro de servicio más cercano, o a un técnico con la misma cualificación o experiencia para evitar riesgos eléctricos.



Precaución: Confirme los elementos siguientes antes de la instalación

Especificaciones eléctricas:

Asegúrese de que la capacidad de la toma de corriente o del disyuntor, y del cable de alimentación sea suficiente, la tensión sea correcta y que la toma de corriente o el disyuntor estén conectados a tierra. De lo contrario existe riesgo de incendio o descarga eléctrica.

Conexión correcta de cables y tuberías:

Una conexión incorrecta puede reducir la eficiencia o causar la parada del equipo de aire acondicionado. También podrá causar fugas de agua o de refrigerante.

Entornos de instalación:

No instale el equipo de aire acondicionado en un lugar donde el aire sea inflamable o corrosivo.

Instrucciones de funcionamiento:

Utilice el equipo de aire acondicionado conforme a lo indicado en este manual.

Instrucciones de funcionamiento

Es muy importante cumplir lo indicado por los mensajes de seguridad. Estos mensajes pueden salvarle de sufrir lesiones o incluso la muerte. Los símbolos de advertencia le alertan para ser cuidadoso e indican que existe un peligro. Siga las instrucciones para estar seguro y reducir las oportunidades de sufrir lesiones. Los signos de advertencia y peligro precederán a los mensajes de seguridad.

Seguridad eléctrica

Conexión a tierra: El aire acondicionado debe tener conexión a tierra. La conexión a tierra reduce el riesgo de descarga eléctrica proporcionando un cable de escape para la corriente eléctrica.

Si el enchufe del cable de alimentación tiene una patilla con un cable de conexión a tierra, conéctelo en una toma de corriente correctamente instalada con conexión a tierra.

Si el enchufe del cable de alimentación no tiene una patilla con cable de conexión a tierra, el cable de toma de tierra tiene que conectarse a un disyuntor que esté correctamente conectado con toma de tierra.

Advertencia: Un uso incorrecto del enchufe o disyuntor de conexión a tierra puede ocasionar un riesgo de descarga eléctrica. Llame a un electricista cualificado si no entiende las instrucciones de conexión a tierra o si no está seguro de que el equipo de aire acondicionado esté correctamente conectado a tierra. Si la toma de corriente o el disyuntor no están conectados a tierra, contacte con un electricista para cambiarlos por una toma de corriente o disyuntor conectados correctamente a tierra.

No corte ni elimine la tercera patilla (conexión a tierra) del enchufe del cable de alimentación bajo ninguna circunstancia.

Desaconsejamos encarecidamente el uso de enchufes o disyuntores adaptadores.

Condiciones de funcionamiento

1. Temperatura: Ejemplo T1: de -7 a 43 °C (16 a 43 °C para equipos de solo enfriamiento)
Ejemplo T3: de -7 a 52 °C (16 - 52 °C para equipos de solo enfriamiento)

Si la unidad funciona por encima de la temperatura durante mucho tiempo, puede hacer que disminuya la capacidad de refrigeración o que se active el sistema de protección.

2. Humedad relativa: < 80 %;

Si la unidad funciona por encima del rango de humedad, puede formarse condensación cerca de las aspas y la salida del aire acondicionado. Esto es normal.

3. Durante el funcionamiento como calefacción, un olor extraño podrá salir de la unidad. Esto es un fenómeno normal.
4. Para conocer los parámetros de rendimiento consulte la placa identificativa.
5. El nivel de impermeabilidad de la unidad interior es IPX0. No la utilice en la lavandería ni el cuarto de baño.
6. La unidad exterior no se puede instalar en una zona cerrada.
7. Fusible de la unidad interior en la placa base: 3,15 A/250 V(modelo de 220 V), 5 A/250 V(modelo de 115 V) .

Consejos

- Instale la unidad en el lado norte, ya que normalmente es el lado con sombra. Esto mejorará el funcionamiento de su unidad.
- Conecte la unidad a una red eléctrica con la tensión y el amperaje correctos para que funcione eficazmente.
- Deje que un electricista certificado efectúe cualquier modificación necesaria en la toma de corriente o en el disyuntor.
- Utilice una línea de corriente exclusiva para el funcionamiento de su equipo de aire acondicionado para evitar la posibilidad de sobretensión eléctrica.
- Para evitar cualquier tipo de riesgo, si el cable de alimentación está dañado debe ser sustituido por el fabricante, su agente de servicio o una persona con una cualificación similar.
- Las dimensiones del espacio necesario para una correcta instalación del aparato incluye las distancias mínimas permisibles a las estructuras adyacentes.
- Este aparato debe instalarse de conformidad con las normativas nacionales de cableado.
- Desconecte la alimentación eléctrica antes de efectuar trabajos de limpieza y mantenimiento.
- Si el aparato no se conecta usando un enchufe, en el cableado fijo deberá incorporar un dispositivo de desconexión omnipolar con una distancia de separación de al menos 3 mm en todos los polos y un dispositivo de corriente residual (RCD) con una capacidad superior a 10 mA, de acuerdo con la normativa nacional.
- Si el dispositivo se conecta usando un enchufe, deberá conectarse a una toma de corriente accesible.

Guía de ahorro energético

- Cuando instale su equipo de aire acondicionado asegúrese de sellar las zonas donde exista posibilidad de fuga de aire.
- El flujo de aire en interiores no deberá quedar bloqueado por cortinas, visillos o mobiliarios, y en exteriores por plantas y arbustos.
- No utilice innecesariamente la luz eléctrica ni otros aparatos que produzcan calor.
- Mantenga las persianas y las cortinas abajo en el resto de las ventanas.
- Mientras cocina utilice un extractor de cocina para eliminar el exceso de calor producido.

Instrucciones de funcionamiento

- Solo se puede utilizar corriente alterna monofásica. Consulte la placa nominal para conocer los detalles.
- Utilice el cable de alimentación especificado y no lo cambie.
- No meta los dedos ni palillos dentro de la entrada o salida de aire acondicionado, ya que el ventilador en funcionamiento podrá causarle lesiones.
- No coloque nada sobre la unidad exterior.
- No encienda o apague la unidad conectando o desconectando el enchufe, ni activando o desactivando el disyuntor.
- Mantenga la zona interior ventilada, especialmente si hay algún aparato funcionando con gas.
- No puentee el fusible ni lo sustituya con otros materiales.
- Desenchufe el equipo de aire acondicionado de la toma de corriente o desactive el disyuntor si no lo va a utilizar durante un largo tiempo.

Instrucciones de seguridad

El aparato no debe ser utilizado por niños pequeños o personas inestables sin supervisión.

Los niños pequeños deben ser supervisados para garantizar que no jueguen con el aparato.

Si el cable de alimentación está dañado debe ser sustituido por el fabricante, su agente de servicio o una persona con una cualificación similar para evitar riesgos.

- No conecte el cable de tierra a una tubería de agua o de gas. Una mala conexión a tierra puede causar una descarga eléctrica.
- No desconecte el cable de alimentación de la toma de corriente o desactive el disyuntor con el equipo en funcionamiento.
- Apague la unidad, a continuación, corte la alimentación y contacte con el agente de servicio si observa algún fenómeno anómalo (p. ej. olor a quemado).
- No instale el equipo de aire acondicionado en un lugar donde podría haber una fuga de gas.
- No coloque plantas ni animales directamente en la ruta de salida del flujo de aire acondicionado. Si lo hace podría causarles daño.
- Contacte con el servicio técnico cuando necesite alguna reparación. Un servicio incorrecto puede causar un accidente.
- Apague la unidad, corte la alimentación eléctrica y asegúrese de que el ventilador está parado antes de limpiar la unidad.
- Para la instalación y desinstalación del equipo de aire acondicionado, consulte con profesionales o contacte con los agentes de servicio.

Funciones de protección

Las funciones de protección pueden prolongar la vida del equipo de aire acondicionado y proporcionar un flujo de aire más confortable.

Función de retardo de arranque del compresor

El compresor volverá a arrancar no antes de 3 minutos (5 minutos en modo calefacción) después de apagarse para mantener el equilibrio de presión del sistema de refrigeración.

Prevención de congelación

Para evitar que el intercambiador de calor de la unidad interior se congele con la unidad en modo enfriamiento o deshumidificación, el compresor o el ventilador de la unidad exterior dejarán de funcionar y la velocidad del ventilador de la unidad interior se ajustará automáticamente al máximo.

Secado para prevención de encimas (opcional)

El motor del ventilador de la unidad interior seguirá funcionando durante 3 minutos a baja velocidad cuando se apague en el modo de refrigeración para mantener seco el interior de la unidad.

Reinicio automático

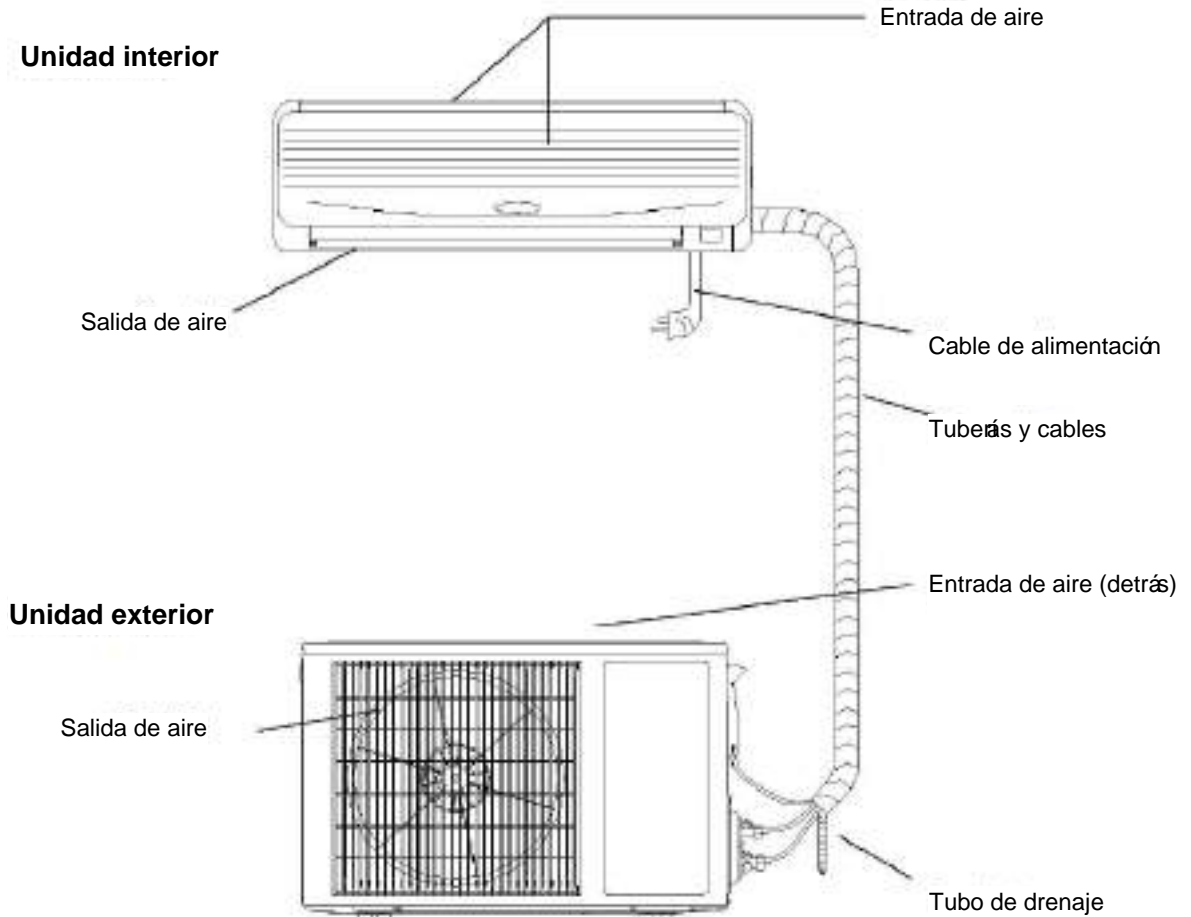
La unidad memoriza el modo de funcionamiento, la configuración del flujo de aire, de la temperatura, etc. de modo que si hay un corte de corriente con la unidad en funcionamiento, esta regresará a las mismas condiciones de funcionamiento cuando se restaure la alimentación.

Enfriamiento en funcionamiento con sobrecarga (opcional)

En modo enfriamiento, si la temperatura del intercambiador de calor de la unidad exterior es demasiado alta, la velocidad del ventilador de la unidad interior se reducirá automáticamente y el compresor podrá pararse.

Descripción de componentes









Vista de la unidad



Observaciones:
















El equipo de aire acondicionado consta de una unidad interior, una unidad exterior y un mando a distancia. El diseño y la forma son diferentes para modelos diferentes. Las figuras anteriores son imágenes esquemáticas y podrían ser ligeramente diferentes en los equipos reales que ha adquirido.

Pantalla de visualización

	<p>En la pantalla puede ver la temperatura establecida, los códigos de error y los temporizadores.</p>
	<p>La luz indicadora permanece encendida cuando la unidad está "FUNCIONANDO". La luz indicadora parpadeará cuando la unidad está en prueba de flujo de aire de Descongelamiento o Enfriamiento.</p>
	<p>La luz indicadora se enciende cuando la unidad está con el Temporizador.</p>
	<p>La luz indicadora se enciende cuando el compresor está en funcionamiento.</p>
	<p>Parpadea durante la búsqueda wifi, permanece encendida cuando se completa la conexión wifi, lo que significa que la función wifi está activada y la aplicación se puede utilizar. (Para conocer los detalles, consulte el manual de instrucciones del wifi)</p>
	<p>La luz indicadora se enciende cuando la unidad está en la función "Salud".</p>
	<p>La luz indicadora se enciende cuando el calentador eléctrico está en funcionamiento.</p>
	<p>La luz indicadora permanece encendida cuando la unidad está en el estado "GEN LINK MODE".</p>

Nota: Las visualizaciones del led indicadas anteriormente solo son de referencia, y están sujetas al producto real.

Mando a distancia

Botón	Introducción	Botón	Introducción
Abrir / Cerrar 	Pulse este botón para arrancar/parar el equipo de aire acondicionado.	UVC 	Para activar o desactivar la función de esterilización UVC.
Modo 	Para seleccionar Automático/ CALENTAR/ DESHUMID ENFRIAR/ VENTILADOR	Salud 	Para activar o desactivar la función de esterilización HEALTH.
Dormir 	Para configurar la función dormir.	Tranquilo 	Establece el funcionamiento silencioso del equipo de aire acondicionado.
▼/—/◀	Use el botón “▼/—/◀” para reducir temp.	 AUH	El símbolo aparece cuando se pulsa el botón “AUH” en el modo CALEFACCIÓN
▲/+/>	Use el botón “▲/+/>” para subir temp.	Enlace gen	Presione este botón para configurar o cancelar Modo de enlace gen
Velocidad	Para seleccionar la velocidad del ventilador de la unidad interior.		
Pantalla 	Para mostrar o cerrar la pantalla de visualización cuando el equipo de aire acondicionado está funcionando.		
 I FEEL	Pulse este botón para activar la función I FEEL (opcional)		
 Balanceo V-SWEEP  Oscilación v V-SWING	Para cambiar la posición de las hojas verticales y hacer que oscilen o no.		
 H-SWEEP Oscilación H	Para cambiar la posición de las hojas horizont y hacer que oscilen o no.		
 Cronómetro	Pulse este botón para seleccionar el temporizador.		
Turbina	Para activar o desactivar la función turbo con el equipo funcionando en modo de calefacción o enfriamiento.		
Ecología 	Para activar o desactivar la función de esterilización ECO.		
 Limpio	Pulse este botón para activar la tecnología de autolimpieza		
Función	Usando el menú del botón de función puede seleccionar dormir, autolimpieza salud, silencio, I Feel, oscilación horizontal, AUH.		
Cuidado	La configuración del modo más adecuada para la salud de los niños.		

Observaciones:

1. La función CALOR, AUTO y la visualización no están disponibles para los equipos de aire acondicionado solo de enfriamiento.
2. Si el usuario desea que el aire de la habitación se enfríe o caliente rápidamente, puede pulsar el botón “turbo” en el modo de refrigeración o calefacción, el aire acondicionado funcionará en función de potencia. Si vuelve a pulsar el botón “turbo”, el equipo saldrá de la función de potencia.
3. La ilustración anterior del mando a distancia está como referencia y podrá ser ligeramente diferente del producto real que haya adquirido.

Pantalla del mando a distancia

Icono	Introducción	Icono	Introducción
	Aparece el icono cuando la función Turbo se activa en modo de calefacción o enfriamiento.		Aparece cuando se selecciona la función I FEEL. (opcional)
	Se muestra conforme a la posición de las hojas verticales y si están oscilando.		Aparece cuando se activa el modo generador. (opcional)
	Aparece cuando se selecciona la función de oscilación horizontal. (opcional)		Aparece cuando se ha seleccionado la función "Autolimpieza"
	Automático		Aparece cuando se activa la función ECO.
	DESHUMID		Aparece cuando se activa la función Salud.
	CALENTAR		F indica Fahrenheit y C Celsius.
	VENTILADOR	Icono Automática	"((((()))))" (glimmer)
	ENFRIAR	Icono Velocidad alta	"((((()))))"
	Aparece cuando se emite la señal de control.	Icono Velocidad media	"(((())))"
	Aparece cuando se ha establecido el tiempo para encender o apagar	Icono Velocidad baja	"(())"
	Se visualiza cuando la función "Saludable" está seleccionada. (opcional)	Icono Velocidad media-baja	"((()))"
	Muestra la temperatura establecida	Icono Velocidad media-alta	"(((())))"
	Aparece cuando se pulsa el botón "Bloqueo". (opcional)		
	Aparece cuando se ha seleccionado la función "Dormir".		
	El símbolo aparece cuando se pulsa el botón "AUH" en el modo calefacción. (opcional)		
	Aparece cuando se ha seleccionado la función "Quiet" (Silencio).		

Instrucciones para el mando a distancia

- El mando a distancia utiliza dos pilas AAA y en condiciones normales duran unos 6 meses. Utilice dos pilas nuevas de un tipo similar (preste atención a los polos cuando las instale).
- Cuando use el mando a distancia, apunte con el emisor de señal hacia el receptor de la unidad interior; No deberá haber ningún obstáculo entre el mando a distancia y la unidad interior.
- Si se pulsan dos botones simultáneamente el funcionamiento será incorrecto.
- No utilice otros equipos inalámbricos (como un teléfono móvil) cerca de la unidad interior. Si debido a esto se producen interferencias, apague la unidad y desenchufe el cable de alimentación. A continuación, vuelva a enchufar el cable de alimentación y encienda la unidad al cabo de un rato.
- No permita que la luz directa del sol incida en el receptor de la unidad interior, de lo contrario no podrá recibir la señal del mando a distancia.
- No arroje el mando a distancia.
- No coloque el mando a distancia bajo la luz directa del sol o cerca de un horno.
- No salpique con agua o zumo el mando a distancia, y utilice una gamuza seca para limpiarlo si esto ocurre.
- Las pilas deben retirarse del aparato antes de desguazarlo y eliminarse de forma segura.

Servicio y mantenimiento

Un mantenimiento cuidadoso y una revisión previa pueden prolongar la vida útil del equipo de aire acondicionado y ahorrar gastos de electricidad.

Precaución:

- Pare el equipo de aire acondicionado usando el mando a distancia y desenchúfelo de la toma de corriente antes de efectuar algún mantenimiento o reparación.
- No se ponga de pie sobre objetos inestables cuando limpie o repare el equipo de aire acondicionado, ya que podrá sufrir alguna lesión.
- No toque la parte metálica del cuerpo de la unidad cuando retire el panel frontal, ya que sufrirá alguna lesión.



Limpiar el panel frontal y el mando a distancia

Si no es posible eliminar la suciedad, limpie la unidad con un paño húmedo (con agua tibia a menos de 40 °C)

Precaución:

- No limpie la unidad con agua, ya que podrá sufrir una descarga eléctrica.
- No limpie el mando a distancia con agua.
- No use alcohol, gasolina, aceite de plano o abrillantado res.
- No limpie la unidad con violencia, ya que podrá hacer caer el panel frontal.
- No limpie el panel frontal o el mando a distancia con un cepillo metálico, ya que puede dañar la superficie.



Limpiar el filtro de aire

- Abra el panel frontal.
- Levante la parte que sobresale y, a continuación, tire hacia abajo para quitar el filtro.
- Límpielo con una aspiradora o con agua. Si el filtro de aire está muy sucio, límpielo empapándolo con agua caliente jabonosa (detergente suave). Déjelo secar a la sombra.
- Inserte el filtro de aire en su posición anterior y cierre el panel frontal.



Nota:

1. El filtro de aire se deberá limpiar cada dos semanas, o se verá reducida la capacidad de calefacción o enfriamiento.
2. No limpie el filtro de aire con un cepillo metálico, ya que puede deteriorarse.



Si no va a usarlo en un largo periodo de tiempo

- Active la oscilación durante 3 -4 horas para secar el interior de la unidad de aire acondicionado.
- Utilice el mando a distancia para detener la unidad y corte la alimentación eléctrica del equipo de aire acondicionado.
- Efectúe mantenimiento en el filtro de aire.
- Saque las pilas del mando a distancia.

Recomendaciones para ahorro de energía

- **Ajuste correcto de la temperatura:** Es malo para la salud que la habitación esté demasiado fría.
- **Evite la luz directa del sol:** Cuando está en modo enfriamiento, utilice las cortinas y las persianas para que no entre la luz directa del sol.
- **Evite las fuentes de calor:** Cuando está en modo enfriamiento, el uso de fuentes de calor puede afectar al efecto de enfriamiento.
- **Cierre las puertas y ventanas:** El aire procedente del exterior afectará a la eficacia del efecto calefactor o de enfriamiento.
- **Mantenga limpio el filtro de aire:** Manteniendo limpio el filtro de aire garantiza un funcionamiento eficiente.
- **Buena ventilación:** No coloque objetos delante de la salida y la entrada de la unidad exterior.

Fenómenos normales

- Con el equipo en modo calefacción o enfriamiento, las partes plásticas de la unidad pueden hacer ruido debido a los cambios de temperatura.
- Si la humedad en el interior es muy alta, se pueden formar gotas de agua en la rejilla delantera de la unidad interior. Esto es un fenómeno normal.
- Es posible oír un ligero “crujido” cuando la unidad arranca o se detiene. Este es el sonido normal del refrigerante al fluir.
- Las paredes, alfombras, mobiliario o la ropa en interiores puede desprender un olor peculiar.
- Para proteger la unidad, cuando se pare el compresor, el sistema aplica un retardo de 3 minutos antes de volverlo a encender.
- En los primeros minutos del funcionamiento en modo calefacción, puede ser que no salga aire de la unidad interior.
- Puede ser que salga algo de agua de la unidad interior durante el funcionamiento en modo calefacción.
- Funcionando en modo calefacción, puede salir vapor de agua cuando exista descongelación.

Resolución de problemas

La unidad de aire acondicionado falla

Comprobar antes de reparar.

Fenómeno	Elementos a comprobar
El equipo de aire acondicionado no funciona en absoluto	1. Compruebe si está desconectado de la red eléctrica.
	2. Compruebe si ha saltado el disyuntor o el fusible está quemado.
	3. Compruebe las pilas del mando a distancia.
	4. Compruebe si hay algún equipo de radio funcionando a menos de 1 m de la unidad.
El equipo enfría o calienta mal	1. Compruebe si la entrada o la salida de aire están bloqueadas.
	2. Compruebe si el polvo obstruye el filtro de aire.
	3. Hay demasiadas personas en la habitación.
	4. Compruebe si las puertas y ventanas están cerradas.
	5. Compruebe el correcto ajuste de la temperatura y de la velocidad del ventilador.

El mando a distancia falla

Las siguientes resoluciones de problemas son fenómenos normales

Fenómeno	Elementos a comprobar
El ventilador se para o no se puede controlar la velocidad	1. Cuando el equipo de aire acondicionado está en modo deshumidificador o en modo "dormir", a veces no se puede controlar la velocidad del ventilador.
	2. Cuando el equipo de aire acondicionado está en modo prueba del flujo de aire frío o en descongelación (modo calefacción), se parará el motor del ventilador.
	3. Cuando el equipo de aire acondicionado está en modo enfriamiento o en modo deshumidificador, si la unidad entra en funcionamiento de prevención de congelación, no será posible controlar la velocidad del ventilador.
	4. Cuando el equipo de aire acondicionado está en modo calefacción, si la unidad entra en funcionamiento de prevención de sobrecarga, no será posible controlar la velocidad del ventilador.

Manual de instalación

Introducción

Advertencia: Algunos modelos funcionan con R32 u otro tipo de refrigerante inflamable, los cuales tiene que manejarse y utilizarse de acuerdo a las instrucciones de uso.

1. Los equipos de aire acondicionado deberá almacenarse en zonas sin fuentes de ignición, como llamas abiertas, electrodomésticos con gas encendido, calefactores encendidos, etc.
2. No perfore ni haga arder el equipo de aire acondicionado.
3. Antes de realizar trabajos de reparación y mantenimiento en un equipo de aire acondicionado con R32, deberá realizarse una inspección de seguridad para garantizar que el riesgo es mínimo.
4. Si el equipo de aire acondicionado presenta fugas de refrigerante, abra inmediatamente todas las puertas y ventanas, mantenga ventilada la habitación, corte la alimentación eléctrica, salga de la habitación y solicite la reparación.
5. Cuando instale o cambie de ubicación el equipo de aire acondicionado, asegúrese de efectuar una sangría en el circuito del refrigerante para garantizar que no tiene aire, y utilice solamente el refrigerante especificado (R32). La presencia de aire o de otro material extraño en el circuito del refrigerante causará un aumento anómalo de la presión que resultará en daños en el equipo e incluso lesiones personales.
6. La bomba de vacío debe utilizarse para la evacuación del gas refrigerante, y está estrictamente prohibido utilizar el refrigerante del fuselaje para evacuar.
7. Tras completar la instalación, compruebe que no existan fugas de gas.
8. Compruebe detenidamente las siguientes señales de seguridad antes de instalar y utilizar el equipo de aire acondicionado.



Precaución, riesgo de incendio



Lea el manual de mantenimiento detenidamente!



Lea el manual de instrucciones detenidamente!



Lea las instrucciones de instalación detenidamente!

Guía de instalación

- Este equipo de aire acondicionado cumple las normas de seguridad y funcionamiento promulgadas en su país.
 - La instalación y desinstalación del equipo de aire acondicionado tiene que realizarlas personal profesional de servicio y mantenimiento. Es posible que surjan problemas y sufra pérdidas si no son profesionales los que instalan el equipo de aire acondicionado.
 - El usuario debe proporcionar una alimentación eléctrica que cumpla con los requisitos de instalación y funcionamiento. Consulte la placa nominal para conocer los detalles sobre el voltaje que necesita este producto. Un voltaje superior a este margen afectará al funcionamiento normal del equipo de aire acondicionado.
 - Se deberá utilizar un punto de toma de corriente separado con un fusible o disyuntor automático para el equipo de aire acondicionado.
 - El equipo de aire acondicionado debe estar conectado a tierra de un modo correcto y fiable, o podrá causar descargas eléctricas o un incendio.
 - No encienda el equipo de aire acondicionado antes de conectarlo correctamente y comprobar los cables y las tuberías.
 - El aparato no debe instalarse en la lavandería ni en el cuarto de baño.
 - Si fuese necesario, consulte a la autoridad del suministro y solicite información sobre el sistema.
 - El enchufe debe ser accesible después de instalar el aparato.
- Estas instrucciones están sujetas a modificaciones sin previo aviso.

Instalación de accesorios

- Examine detenidamente la lista de embalaje adjunta y compruebe si están todos los accesorios.
- Es posible que los usuarios tengan que comprar por su cuenta los artículos no incluidos en la lista de embalaje y que puedan ser necesarios en la instalación.

Ubicación de la unidad interior

- Lejos de cualquier fuente de calor, fuente de vapor, fugas de gas inflamable y humo.
- Sin ningún obstáculo cerca de la entrada y de la salida, y mantener una buena ventilación.
- Con una buena descarga para el agua.
- Al menos a 1 m de cualquier equipo inalámbrico (como un TV, una radio, etc.).
- Montado sobre una pared que pueda soportar el peso de la unidad de aire acondicionado y que no vibre produciendo ruido cuando esté la unidad en funcionamiento.
- La distancia entre la unidad interior y el suelo deberá ser mayor de 2,3 m.
- El enchufe debe ser accesible después de instalar el aparato.
- Asegure una distancia como la indicada en la Fig.1.
- La parte trasera de la unidad interior deberá estar pegada a la pared (Fig.1)
- Todas las figuras son imágenes esquemáticas y podrán ser ligeramente diferentes a los equipos reales que ha adquirido.

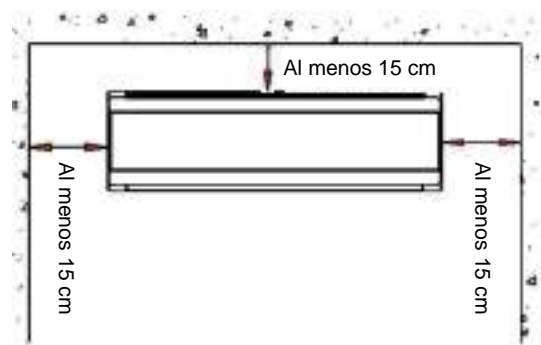


Fig. 1

Ubicación de la unidad exterior

- Evite la luz directa del sol.
- Lejos de las fuentes de calor, fuentes de vapor, fugas de gas inflamable, humo y polvo.
- Seleccione un lugar lejos de la lluvia (nieve) y que tenga buena ventilación.
- Los vecinos no se verán afectados por el aire y el ruido generados, ni por el agua descargada.
- Una ubicación donde sea fácil de instalar y realizar mantenimientos.
- Montada sobre una base sólida y fiable no aumentará el ruido ni las vibraciones.
- Para obtener un alto rendimiento de refrigeración, asegúrese de que la parte delantera, trasera, izquierda y derecha de la unidad estén situadas en una zona abierta.
- La salida está diseñada para estar al aire libre, cualquier obstáculo afectará al rendimiento.
- La distancia de instalación debe cumplir los requisitos de la Fig. 2.

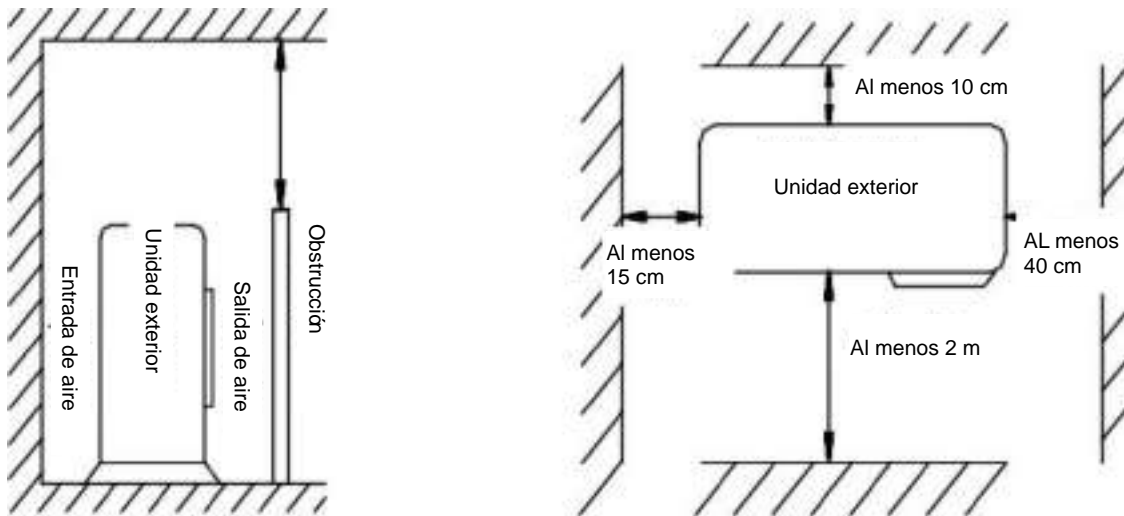


Fig 2

Selección de tubos

- Asegúrese de que la diferencia de nivel (altura) de las unidades interior y exterior y la longitud de los tubos cumplen los requisitos de la Tabla 1.
- Si la longitud de la tubería es mayor de 7 m, pero menor de 15 m, será necesario aumentar el refrigerante conforme a la Tabla 1.
- Si la posición de instalación de la unidad exterior está más alta que la de la unidad interior y la tubería es mayor de 10 m, tendrá que colocar una trampa de aceite en la tubería de gas cada 8 m. (Fig. 3)

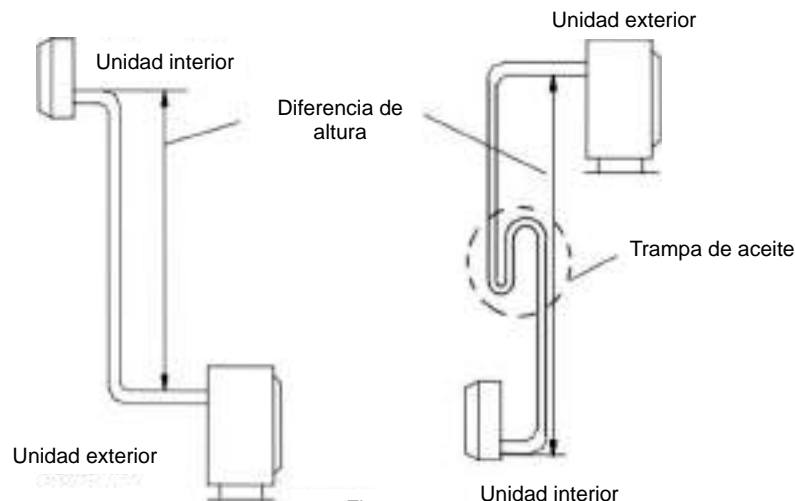


Fig. 3

Tabla 1

Tamaño de la tubería		Longitud normal de la tubería (m)	Longitud máx. de la tubería (m)	Diferencia de altura (m)	Refrigerante adicional (g/.m)
Estrecha (mm)	Ancha (mm)				
Φ 6(1/4")	Φ 9(3/8")	5.0	9	5	12
Φ 6(1/4")	Φ 12(1/2")	5.0	12	7	12
Φ 6(1/4")	Φ 15.88(5/8")	5.0	15	8	12
Φ 9(3/8")	Φ 15.88(5/8")	5.0	15	8	15
Φ 9(3/8")	Φ 19.05(3/4")	5.0	20	10	15

Las dimensiones anteriores son solo de referencia, y prevalecerá el producto real.

Fijación del panel de instalación

- Desmonte la placa metálica de instalación de la unidad interior. Ajuste la placa de instalación en posición horizontal. La diferencia de altura entre el lado derecho e izquierdo de la placa de instalación deberá ser menor de 5 mm. (Fig. 4)
- Taladre los agujeros e inserte los tacos de expansión de plástico en los lugares adecuados de la pared, y fije la placa de instalación a la pared usando tornillos M5x30. Asegúrese de tener al menos 4 puntos fijos en la pared. Asegúrese de que la placa de instalación esté en posición horizontal.
- Taladre los agujeros como muestra la Fig. 5. Los agujeros, de 80 mm de diámetro, deberán estar ligeramente inclinados hacia afuera.
- Corte los tubos de PVC con un pequeño ángulo y algo más cortos que el grosor de la pared, e insértelos en el agujero. (Fig.5)
- Coloque el tapón de pared

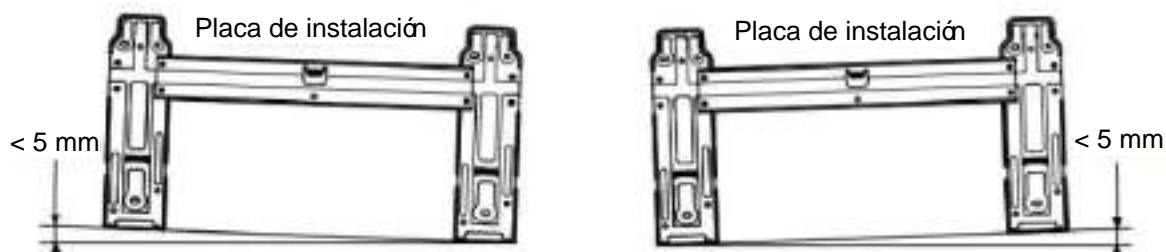


Fig. 4

Pared

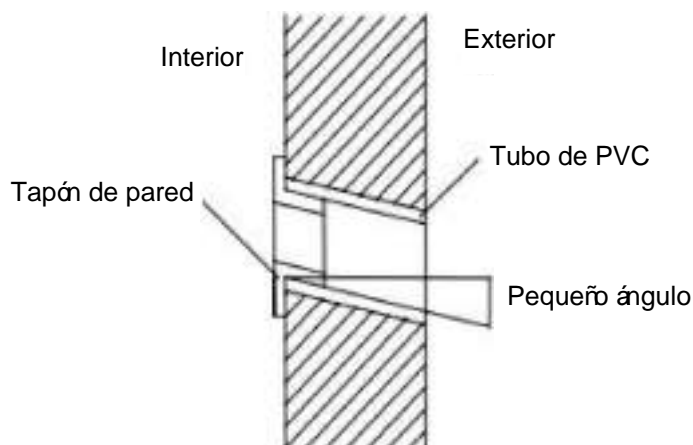
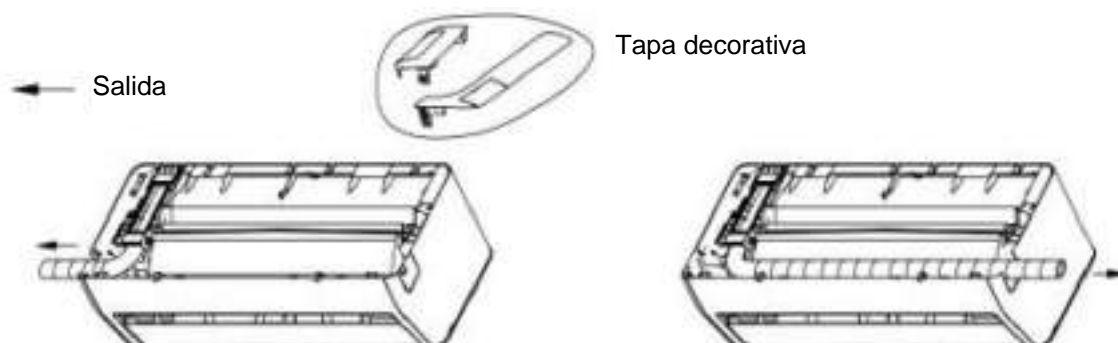


Fig. 5

Accesorio: instrucciones de instalación de la carcasa decorativa



Paso 1: Recubra con cinta protectora de PVC el tubo de drenaje, la tubería de cobre y el cable de alimentación. Ajuste la tubería de cobre dándole una forma adecuada.



Paso 2: Instalar la carcasa decorativa



Paso 3: Terminar

Nota: Las imágenes anteriores pueden diferir del producto real. Por favor, fíjese en el producto real.

Instalación de la unidad interior

El tubo puede conectarse en varias direcciones como aparece en las figuras.

1. Conectar el tubo trasero a la derecha (similar al tubo inferior a la derecha) (opcional, consulte la Fig. 6)

- Extraiga los tubos de la parte inferior del chasis; y conecte el tubo de drenaje. Recubra con cinta protectora la unión de las tuberías de manera fiable. Dirija el cable de alimentación a la unidad interior (no lo conecte a la red eléctrica).
- Recubra las tuberías, el tubo de drenaje y el cable de alimentación todos juntos usando cinta adhesiva. El tubo de drenaje se coloca debajo. Retire el tablero que se encuentra en el bastidor.
- Compruebe que las conexiones sean fiables.
- Monte la unidad interior sobre los dos ganchos de la parte superior de la placa de instalación. (Consulte la Fig. 8)

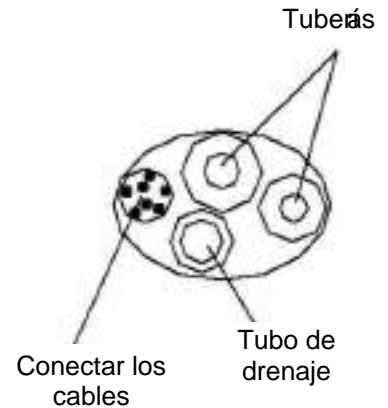


Fig. 6

2. Conectar el tubo trasero a la izquierda (similar al tubo inferior a la izquierda). (opcional, consulte la Fig. 9)

- Mueva el tubo de drenaje hacia el lado izquierdo y coloque el tapón de descarga en el lado derecho.
- Fije las tuberías en su salida correspondiente de la unidad interior usando una abrazadera.
- Los pasos de instalación siguientes son los mismos que en "1. Conectar el tubo trasero a la derecha".

Notas: El gráfico de la izquierda está disponible para la posición de la manguera de drenaje, consulte la Fig. 7.

El gráfico de la derecha está disponible para la posición de la manguera de drenaje, consulte la Fig. 9.

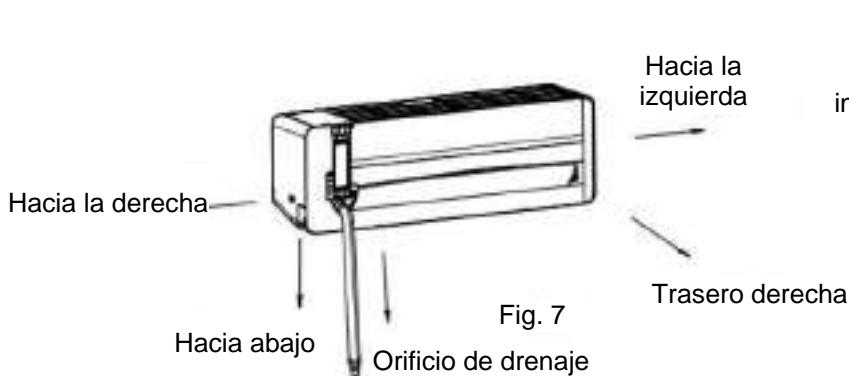


Fig. 7

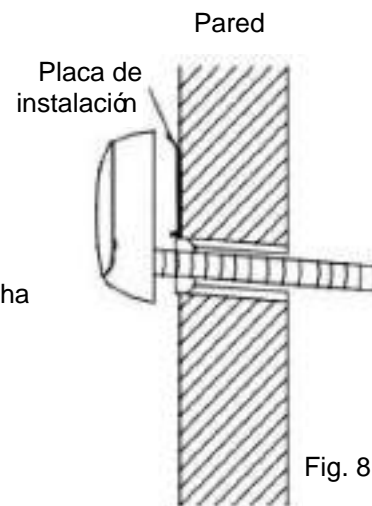


Fig. 8



Fig. 9

Instalación de la unidad exterior

- Si necesita colocar soportes para la instalación de la unidad exterior, el usuario puede solicitarlos a nuestra empresa o a nuestros agentes de venta (Fig.10).
- Ensamble el bastidor de montaje y los soportes con los 6 pernos (M12x25) suministrados, usando arandelas planas, arandelas de presión y tuercas.
- Taladre 4 o más agujeros en la pared de acuerdo al tamaño en pies de la unidad de aire acondicionado. Determine la ubicación de los soportes de montaje izquierdo y derecho. Asegúrese de que los soportes izquierdo y derecho estén a la misma altura y nivelados.
- Fije el bastidor de instalación sobre la pared usando tacos de expansión.
- Fije la unidad exterior (M10x25) sobre los soportes de instalación usando 4 pernos.
- Los accesorios deben de estar atornillados firmemente; la conexión debe ser estanca y fiable.
- Durante la instalación de la unidad, esta deberá estar colgando de unas cuerdas de seguridad para evitar que se caiga.
- Durante la instalación y reparación, las herramientas y componentes utilizados deberán asegurarse para evitar que se caigan.
- Compruebe periódicamente la fiabilidad del bastidor de instalación.

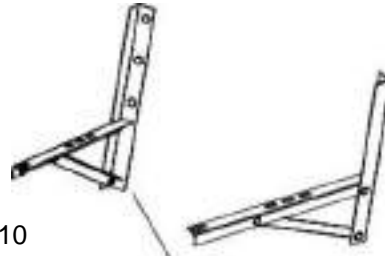


Fig. 10

Soporte de instalación

Conexión de las tuberías

- Quite la tapa de la válvula de la unidad exterior.
- Alinee la tuerca abocardada con el centro de la rosca y apriete la tuerca a mano.
- A continuación, use una llave dinamométrica para apretar la tuerca abocardada hasta que oiga el clic de la llave.
- Se recomienda usar una llave dinamométrica para conectar las tuberías. Si utiliza otro tipo de llave fija o llave inglesa, podrá dañar el abocardado al ejercer más fuerza de la necesaria.
- Si necesita doblar el tubo, el ángulo que se aplique a la tubería no debe ser demasiado pequeño o la tubería podrá romperse, por lo que el personal de servicio debe utilizar una dobladora de tubos.
- No permita nunca que entre agua, polvo o arena dentro de la tubería.

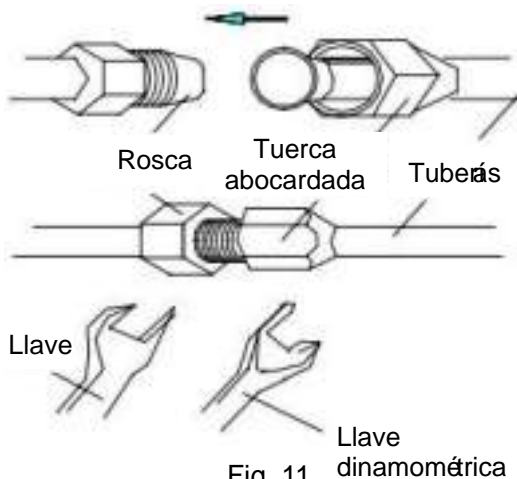


Fig. 11

Llave
dinamométrica

Tamaño de la tubería (mm/pulgadas)	Par de apriete (N.m)
Φ6 (1/4")	15-20
Φ9 (3/8")	35-40
Φ12 (1/2")	50-55
Φ15,88 (5/8")	60-75
Φ19,05 (3/4")	80-95

Conexión del cable

1. Unidad interior (Fig. 12)

- Abra el panel hacia arriba hasta el máximo.
- Abra la tapa de los terminales eléctricos.
- Asegure los cables de conexión al bloque de terminales de acuerdo al diagrama de conexiones de la tapa.
- Presione el cable de conexión firmemente con la placa de presión.
- Cierre la tapa de los terminales, asegúrela con tornillos y cierre el panel.

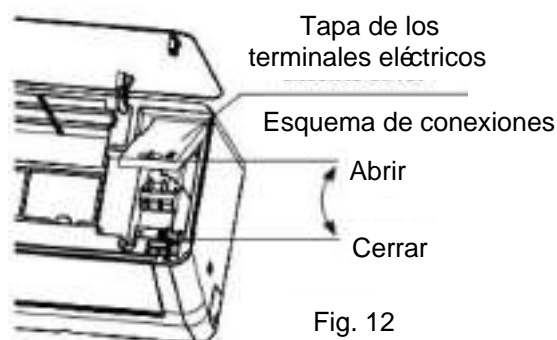


Fig. 12

1. Unidad exterior (Fig. 13)

- Quite los tornillos de fijación de la tapa del asa y abra la tapa.
- Asegure los cables de conexión al bloque de terminales de acuerdo al diagrama de conexiones de la tapa del asa.
- Presione el cable de conexión firmemente con la placa de presión.
- Vuelva a colocar la tapa del asa y apriétela con los tornillos.

Si el cliente necesita alargar o cambiar el cable de alimentación, consulte la Tabla 3 para conocer las especificaciones.

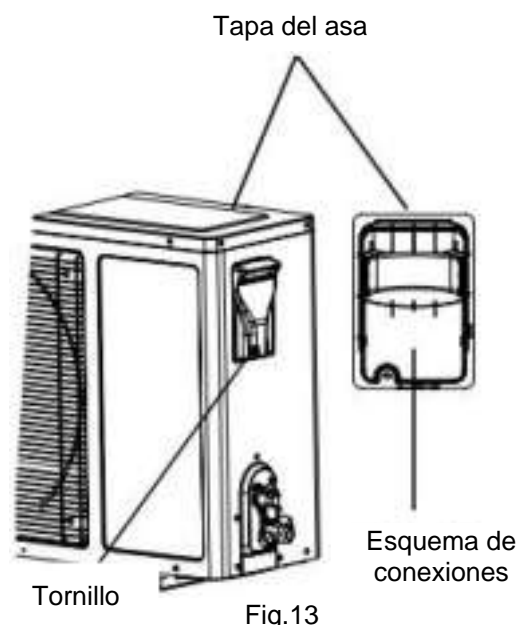


Fig.13

Tabla 3

		Cables de conexión de alimentación	Cables de control de señal	Cable de alimentación
	Longitud máxima	10 m	10 m	5 m
5K/7K/9K/12K	Área de la sección transversal	$\geq 1,0 \text{ mm}^2$	$\geq 1,0 \text{ mm}^2$	$\geq 1,0 \text{ mm}^2$
16K/18K/24K(220V) 9K/12K(115V)		$\geq 1,5 \text{ mm}^2$	$\geq 1,5 \text{ mm}^2$	$\geq 1,5 \text{ mm}^2$
21K/24K/28K/30K/36K		$\geq 2,5 \text{ mm}^2$	$\geq 0,5 \text{ mm}^2$	$\geq 2,5 \text{ mm}^2$

Notas:

- El tornillo de conexión a tierra debe ser un tornillo especial (tornillo maquinado de acero inoxidable o tornillo M4 de cobre)
- Asegúrese de que todos los cables conectados son seguros y no están flojos ni separados del contacto.
- Compruebe que las conexiones de los cables se llevan a cabo conforme al esquema de conexiones de la unidad de aire acondicionado.
- Las figuras anteriores son imágenes esquemáticas y podrán ser ligeramente diferentes en los equipos reales que ha adquirido.

Recubrimiento de la tubería con cinta protectora

- El recubrimiento con cinta adhesiva de PVC hay que hacerlo con cuidado para no dañar las tuberías ni el tubo de drenaje.
- El recubrimiento empieza en la parte inferior de la unidad exterior hasta la unidad interior.
- Fije la cinta de PVC con cinta adhesiva para evitar que se pierda.
- El tubo de drenaje deberá tener cierta pendiente hacia afuera para garantizar que drene bien.
- Cuando la unidad interior está más baja que la exterior, doble el tubo lo necesario para evitar que el agua de drenaje entre en la casa.
- Fije el mazo de tubos a la pared usando abrazaderas para tubos.
- Deje espacio suficiente entre el tubo de descarga y el suelo. No coloque el tubo de descarga en el agua o en una zanja.
- Selle los agujeros de la pared externos con goma o masilla de sellado.

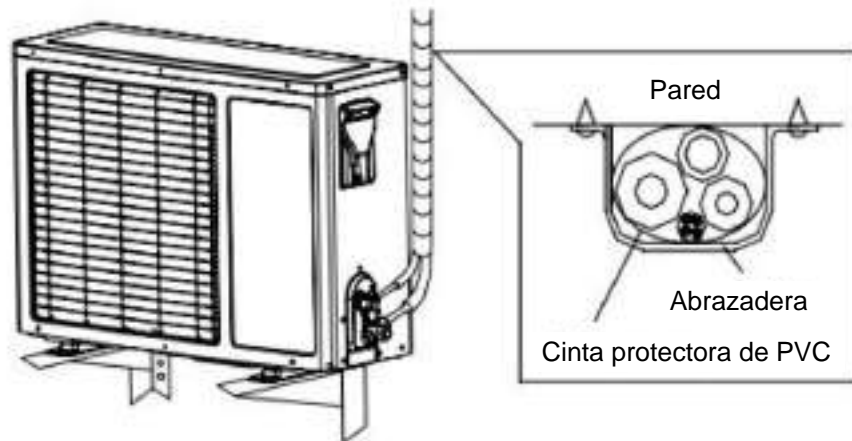


Fig. 14

Evacuación

- Asegúrese de que todos los tubos de la unidad interior y exterior están bien conectados.
- Quite el sombrerete de la válvula de dos y tres vías con una llave; conecte la bomba de vacío y la válvula compuesta al sombrerete de la válvula de servicio.

Abra el interruptor de baja presión de la válvula compuesta, y ponga en marcha la bomba hasta que la presión interna de la unidad alcance los 10 mmHg.

- Cuando la bomba haga vacío, cierre el interruptor de baja presión de la válvula compuesta y, a continuación, cierre la bomba de vacío. Gire 90° en sentido contrario a las agujas del reloj el carrete de la válvula de servicio de tubería estrecha con la llave hexagonal, apriete girando en sentido de las agujas del reloj después de parar durante 10 segundos.
- Compruebe en todas las conexiones, con agua jabonosa o con un detector de fugas, si hay alguna fuga en las unidades interior y exterior.

Abra las válvulas de servicio de la tubería estrecha y de la tubería ancha, usando una llave hexagonal, para que corra el gas.

- Retire la tubería de conexión de la válvula de servicio de tubería ancha.
- Enrosque con firmeza el sombrerete completo de la válvula con una llave dinamométrica.
- Compruebe las conexiones de las unidades interior y exterior, con agua jabonosa o con un detector de fugas.
- Vuelva a colocar el sombrerete de la válvula y la tapa en sus posiciones.

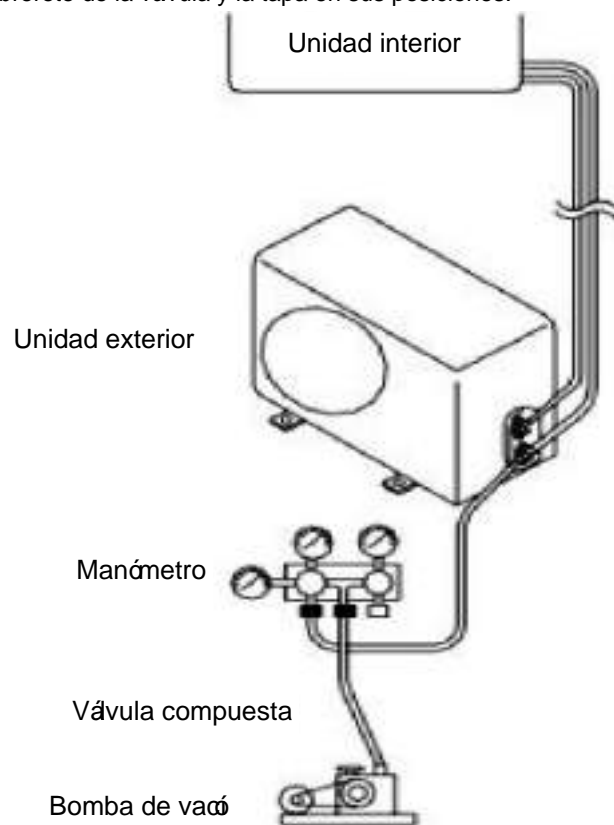


Fig. 15

Inspección de fugas de gas

Después de realizar la conexión de las tuberías, utilice un dispositivo de inspección de fugas o agua jabonosa para comprobar detenidamente si hay alguna fuga en las uniones. Este es un paso importante para garantizar la calidad de la instalación. Si hay fuga de refrigerante, ventile la zona inmediatamente. Se puede producir gas tóxico si el refrigerante entra en contacto con el fuego. No toque nunca ninguna fuga accidental de refrigerante. Podría ocasionarle heridas graves por congelación.

Drenaje

- **No necesita tratamiento de drenaje**

En regiones donde la temperatura baja mucho en invierno, no instale la unión acodada para evitar que el agua de drenaje se congele y ocasione daños en el ventilador. Este tratamiento de drenaje no es necesario en los equipos de aire acondicionado solo de refrigeración.

- **Cuando necesite un tratamiento de drenaje**

Utilice la unión acodada (en la bolsa de accesorios). La unidad exterior deberá estar colocada sobre bloques.

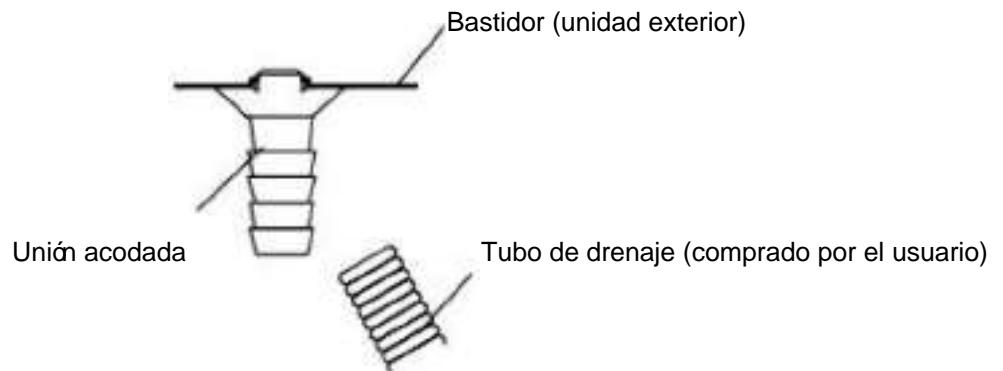


Fig. 16

Instalación de la tapa de la válvula

- Para todas las unidades que tengan disponible una tapa individual para la válvula (fíjese en la lista de embalaje, el método de instalación es el siguiente:
- Después de conectar las tuberías de conexión entre las unidades interior y exterior siguiendo el método de instalación mencionado anteriormente, saque la tapa de la válvula de la bolsa de accesorios y fíjela en el lateral de la unidad exterior con los tres tornillos correspondientes. (Dentro de la bolsa de accesorios)

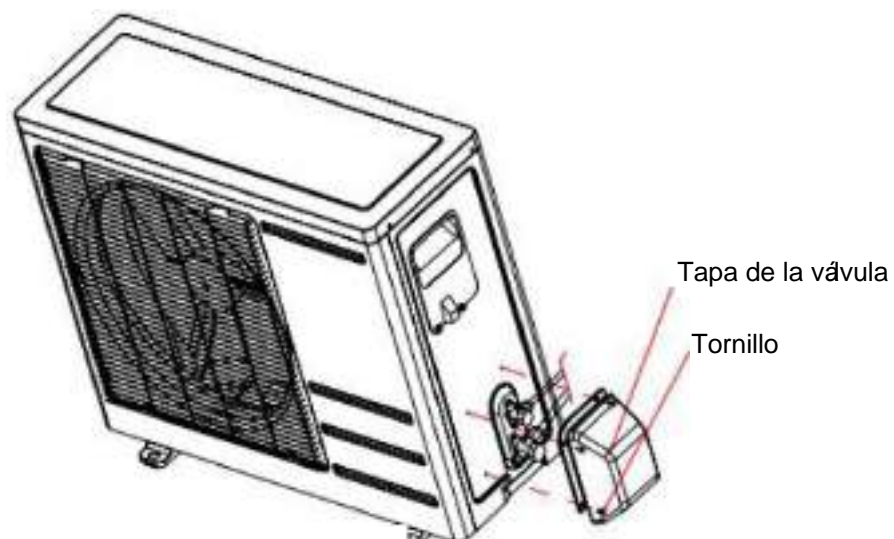


Fig. 17

Fallo en la pantalla de frecuencia fija/modo de visualización de código de estado.

	IDU DISPLAY	DETALLES DE LA FALLA	Solución
1	F1	Fallo del sensor de temperatura ambiente interno.	Reemplace el sensor de temperatura ambiente interior.
2	F2	Fallo de bobina interna y falla del sensor.	Reemplace el sensor de falla de la bobina interior.
3	F3	Falla del sensor de temperatura de la bobina externa.	Reemplace el sensor de temperatura de la bobina exterior.
4	F4	Falla del motor del ventilador interno.	Apague la máquina o reiniciela después de un corte de energía. Si el problema persiste, reemplace directamente la placa base (PCB) o el motor del ventilador.
5	F0	Falla de la señal de cruce por cero del motor del ventilador interior.	Después de apagar la máquina, enciéndala nuevamente y reemplace la placa PCB directamente si el problema persiste.
6	F5	Falla de comunicación entre la placa de visualización de la unidad interior y la placa de alimentación.	Si el fallo persiste después de volver a insertar el cable, póngase en contacto con personal técnico o proveedores.
7	F6	Fallo de EEPROM de unidad interna.	Reemplace la placa PCB.
8	E0	SIN FALLAS	
9	P1	Protección contra sobrecarga de la unidad exterior (sobrecorriente, presión del sistema).	
10	P2	Protección contra sobrecalentamiento de la bobina interna en modo calefacción.	Fenómeno normal.
11	P3	Protección contra la congelación de la bobina interna en modo de refrigeración.	Fenómeno normal.

